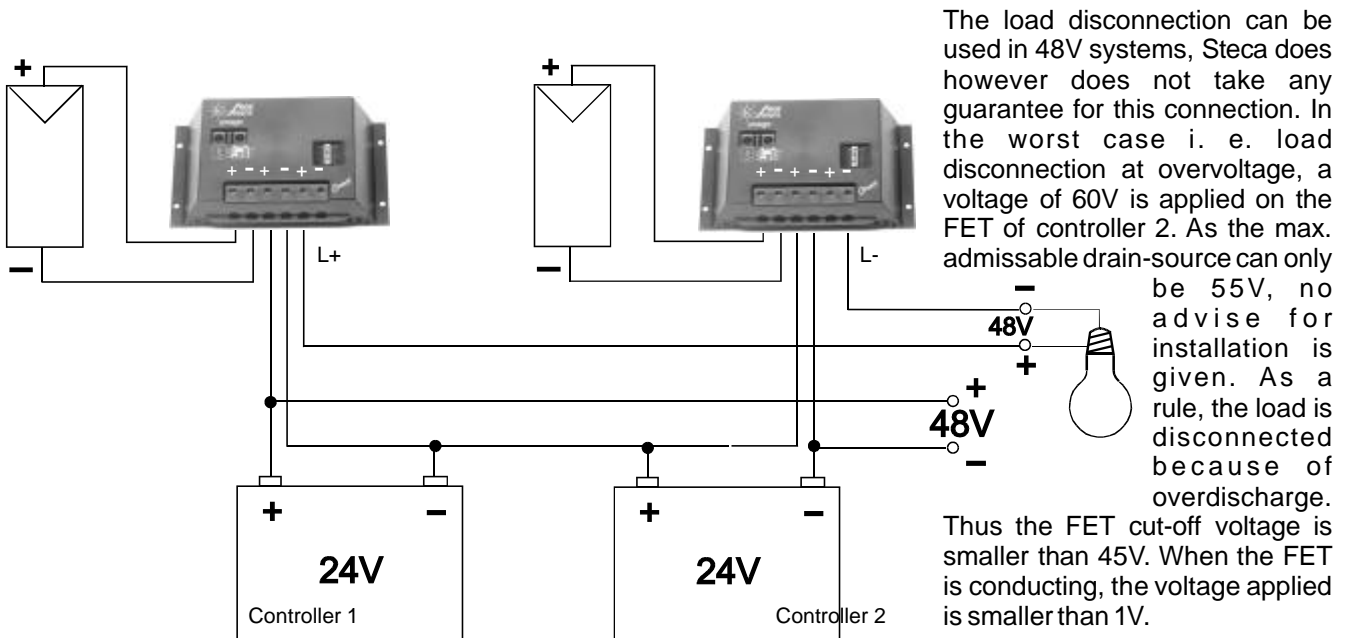


Operation of standard-controllers at high voltages

Series Connection

When controllers are connected in a series, neither the load output nor the module inputs are allowed to connect in a series, so that the controller is not damaged. When more systems are connected in a series, the total voltage can exceed the safety low voltage level. The single controller is not intended for use in this range and does therefore not correspond to the insulation requirements for DC-voltages higher than 75V. When the controller is installed, pay attention that open-lying lines in which more than 50V are applied must be sufficiently insulated.



Operation of standard controllers at high currents

Parallel Connection

In a parallel connection neither the load outputs nor the module inputs are allowed to be connected parallel, so that the controller is not damaged. As in single operation, all plus lines can be connected with each other and earthed.

