



**samlexsolar**<sup>®</sup>

**30 Amp  
Solar Charge  
Controller**

**SCC-30AB**

**Owner's  
Manual**

Please read this  
manual before  
operating your  
charge controller.

# OWNER'S MANUAL | Index

<b>SECTION 1</b>	
Safety Instructions.....	3
<b>SECTION 2</b>	
General Description of Solar System .....	5
<b>SECTION 3</b>	
General Information - Batteries .....	9
<b>SECTION 4</b>	
Principle of Operation & Features .....	20
<b>SECTION 5</b>	
Construction, Layout and Controls .....	34
<b>SECTION 6</b>	
Installation & Operation .....	41
<b>SECTION 7</b>	
Troubleshooting Guide .....	51
<b>SECTION 8</b>	
Specifications .....	54
<b>SECTION 9</b>	
Warranty .....	55

## Disclaimer of Liability

UNLESS SPECIFICALLY AGREED TO IN WRITING, SAMLEX AMERICA INC.:

1. MAKES NO WARRANTY AS TO THE ACCURACY, SUFFICIENCY OR SUITABILITY OF ANY TECHNICAL OR OTHER INFORMATION PROVIDED IN ITS MANUALS OR OTHER DOCUMENTATION.
2. ASSUMES NO RESPONSIBILITY OR LIABILITY FOR LOSSES, DAMAGES, COSTS OR EXPENSES, WHETHER SPECIAL, DIRECT, INDIRECT, CONSEQUENTIAL OR INCIDENTAL, WHICH MIGHT ARISE OUT OF THE USE OF SUCH INFORMATION. THE USE OF ANY SUCH INFORMATION WILL BE ENTIRELY AT THE USERS RISK.

Samlex America reserves the right to revise this document and to periodically make changes to the content hereof without obligation or organization of such revisions or changes.

## Copyright Notice/Notice of Copyright

Copyright © 2022 by Samlex America Inc. All rights reserved. Permission to copy, distribute and/or modify this document is prohibited without express written permission by Samlex America Inc.

# SECTION 1 | Safety Instructions

*Please read these instructions before installing or operating the Charge Controller to prevent personal injury or damage to the Charge Controller.*

## Installation and wiring compliance

- Installation and wiring must comply with the local and National Electrical Codes and must be done by a certified electrician.

## Preventing electrical shock

- The negative system conductor should be properly grounded. Grounding should comply with local codes.
- Disassembly / repair should be carried out by qualified personnel only.
- Disconnect all input and output side connections before working on any circuits associated with the Charge Controller. Turning the on/off control on the Charge Controller to off position may not entirely remove dangerous Voltages.
- Be careful when touching bare terminals of capacitors. The capacitors may retain high lethal Voltages even after the power has been removed. Discharge the capacitors before working on the circuits.

## Installation environment

- The Charge Controller should be installed indoor only in a well ventilated, cool, dry environment.
- Do not expose to moisture, rain, snow or liquids of any type.

## Preventing fire and explosion hazards

- Working with the Charge Controller may produce arcs or sparks. Thus, the Charge Controller should not be used in areas where there are inflammable materials or gases requiring ignition protected equipment. These areas may include spaces containing gasoline powered machinery, fuel tanks, battery compartments.

## Precautions when working with batteries

- Batteries contain very corrosive, diluted sulphuric acid as electrolyte. Precautions should be taken to prevent contact with skin, eyes or clothing.
- Batteries generate hydrogen and oxygen during charging, resulting in evolution of explosive gas mixture. Care should be taken to ventilate the battery area and follow the battery manufacturer's recommendations.

## SECTION 1 | Safety Instructions

- Never smoke or allow a spark or flame near the batteries.
- Use caution to reduce the risk of dropping a metal tool on the battery. It could spark or short circuit the battery or other electrical parts and could cause an explosion.
- Remove metal items like rings, bracelets and watches when working with batteries. The batteries can produce a short circuit current high enough to weld a ring or the like to metal and cause a severe burn.
- If you need to remove a battery, always remove the ground terminal from the battery first. Make sure that all the accessories are off so that you do not cause a spark.

### Charge Controller related

- Please ensure the input Voltage fed to the Charge Controller does not exceed 50 VDC to prevent permanent damage to the Charge Controller. Ensure that the maximum Open Circuit Voltage Voc of the 12V nominal Solar Panel / Solar Array is less than 50V. If two 12V nominal Solar Panels are being used in series to make a 24V nominal Solar Array, make sure that the maximum Open Circuit Voltage Voc of each of the 12 V Panels is less than 25V.
- Do not exceed the maximum current rating of 30 A.
- Do not exceed a Battery Voltage of 24V (nominal) . Do not use a battery less than 12V.
- Charge only 12 or 24V (nominal) Lead Acid batteries or Lithium batteries designed for lead acid drop-in replacement. Charge settings (Dip Switch) must be set in accordance with battery manufacturer's recommendations.
- The controller should be protected from direct sunlight. Ensure adequate space for air flow around the controller's face plate.
- Do not install in a sealed compartment with batteries.
- Never allow the solar array to be connected to the controller with the battery disconnected. This can be a dangerous condition with high open-circuit solar voltage present at the terminals.
- Use only copper wire with minimum 75°C insulation rating, and between 10 AWG (5.2 mm<sup>2</sup>) and 14 AWG (2.1 mm<sup>2</sup>) gauge.
- The Negative system conductor should be properly grounded. Grounding should comply with local codes.

## SECTION 2 | General Description of Solar System

### Current (I), Voltage (V) and Power (P) Curves of a Solar Panel and how the Solar Panel is rated - $V_{oc}$ , $V_{mp}$ , $I_{sc}$ , $I_{mp}$ , $P_{max}$

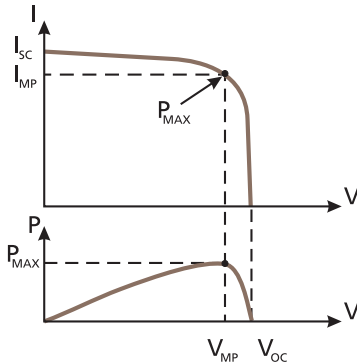


Fig. 2.1. Current (I), Voltage (V) and Power (P) Curves

A Current (I) versus Voltage (V) Curve of a Solar Panel (“I-V” Curve) shows the possible combinations of its current and Voltage outputs. A typical I-V curve for a 12V Panel is shown in Fig. 2.1.

The power in a DC electrical circuit is the product of the Voltage and the current. Mathematically,

- Power (P) in Watts (W) = The Current (I) in Amperes (A) X the Voltage (V) in Volts (V) i.e.  $W = V \times A$

A Solar Panel produces its maximum current when there is no resistance in the circuit, i.e. when there is a short circuit between its Positive and Negative terminals. This maximum current is known as the Short Circuit Current and is abbreviated as  $I_{sc}$ . When the Panel is shorted, the Voltage in the circuit is zero.

Conversely, the maximum Voltage occurs when there is a break in the circuit. This is called the Open Circuit Voltage ( $V_{oc}$ ). Under this condition, the resistance is infinitely high and there is no current, since the circuit is incomplete. **Typical value of the open-circuit Voltage is located about 0.5 – 0.6V per cell for Crystalline Cells and 0.6 – 0.9V for Amorphous Cells. Normally, 12V nominal panel consists of 36 cells in series and a 24V nominal panel consists of 72 cells in series. Hence, the Open Circuit Voltage ( $V_{oc}$ ) of panels with crystalline cells will be as follows:**

## SECTION 2 | General Description of Solar System

- 12V panel: 36 cells x (0.5 to 0.6V per cell) = 18V to 21.6V

- 24V panel: 72 cells x (0.5 to 0.6V per cell) = 36V to 43.2V

These two extremes in load resistance, and the whole range of conditions in between them, are depicted on the I-V Curve. Current, expressed in Amps, is on the vertical Y-axis. Voltage, inV, is on the horizontal X-axis.

The power available from a photovoltaic device at any point along the curve is just the product of Current (I) in Amps (A) and voltages (V) at that point and is expressed in Watts. At the short circuit current point, the power output is zero, since the voltage is zero. At the open Circuit Voltage point, the power output is also zero, but this time it is because the current is zero.

### Maximum Power Point and Rated Power of Solar Panel

There is a point on the knee of the I-V Curve where the maximum power output is located and this point is called the Maximum Power Point (MPP). The voltage and current at this Maximum Power Point are designated as  $V_{mp}$  and  $I_{mp}$ .

The values of  $V_{mp}$  and  $I_{mp}$  can be estimated from  $V_{oc}$  and  $I_{sc}$  as follows:

$$V_{mp} \approx (0.75 - 0.9) V_{oc}$$

$$I_{mp} \approx (0.85 - 0.95) I_{sc}$$

The rated power of the Solar Panel in Watts ( $P_{max}$ ) is derived from the above values of voltage  $V_{mp}$  and current  $I_{mp}$  at this Maximum Power Point (MPP):

- Rated power in Watts,  $P_{max} = V_{mp} \times I_{mp}$

## SECTION 2 | General Description of Solar System

### Example of I-V Curve and Ratings of a 12V Solar Panel

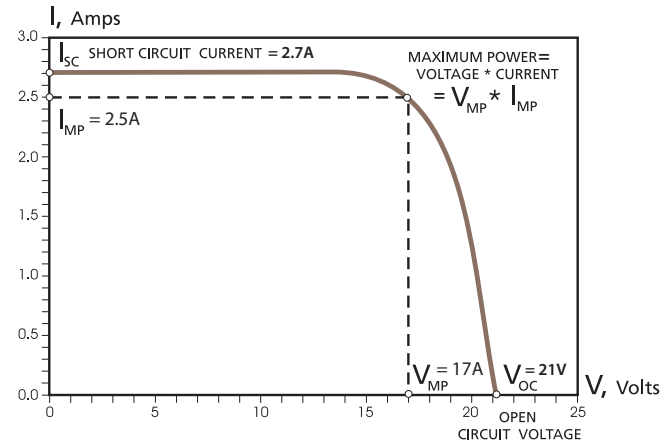


Fig. 2.2. Example of I-V Curve and Ratings of a 12V PV / Solar Panel

I-V Curve for a typical 12V Solar Panel is shown in Fig. 2.2. The Open Circuit Voltage  $V_{oc}$  is 21V and the Short Circuit Current  $I_{sc}$  = 2.7V.

Maximum Power Point in the example curve given above is where  $V_{mp}$  is 17V, and the current  $I_{mp}$  is 2.5A. Therefore, the rated or the maximum power  $P_{max}$  in watts is 17V times 2.5A, or 42.5 Watts.

### Standard Test Conditions (STC) for Specifying Solar Panels

The I-V curve is also used to compare the performance of Solar Panel. The curve is, therefore, generated based on the performance under Standard Test Conditions (STC) of sunlight and device temperature of 25°C. It assumes there is no shading on the device. Standard sunlight conditions on a clear day are assumed to be 1,000 Watts of solar energy per square meter (1000 W/m<sup>2</sup> or 1 kW/m<sup>2</sup>). This is sometimes called one sun, or a peak sun. Less than one sun will reduce the current output of the PV device by a proportional amount. For example, if only one-half sun: (500 W/m<sup>2</sup>) is available, the amount of output current is roughly cut in half.

## SECTION 2 | General Description of Solar System

### Factors Affecting Voltage and Current Output of Solar Cell

The amount of electric current generated by photon excitation in a Solar Cell at a given temperature is affected by the incident light in two ways:

- By the intensity of the incident light.
- By the wavelength of the incident rays.

The materials used in Solar Cells have different spectral responses to incident light, and exhibit a varying sensitivity with respect to the absorption of photons at given wavelengths. Each semiconductor material will have an incident radiation threshold frequency, below which no electrons will be subjected to the photovoltaic effect. Above the threshold frequency, the kinetic energy of the emitted photoelectron varies according to the wavelength of the incident radiation, but has no relation to the light intensity. Increasing light intensity will proportionally increase the rate of photoelectron emission in the photovoltaic material. In actual applications, the light absorbed by a solar cell will be a combination of direct solar radiation, as well as diffused light bounced off of surrounding surfaces. Solar Cells are usually coated with anti-reflective material so that they absorb the maximum amount of radiation possible.

The output current of the Solar Panel can increase due to what is known as the **“Edge of the Cloud Effect”**. As the sun moves into a hole between the clouds, your solar panels will see full direct sunlight combined with reflected light from the clouds! They will absorb more energy than they could on a cloudless day! ***Thus, a factor of 1.25 times the Short Circuit Current  $I_{sc}$  is recommended when sizing the current capacity of the Charge Controller.***

The output current of the Solar Cell has a Positive Temperature Coefficient – the output current increases with the rise of temperature. However, it is negligible – less than 0.1 % / °C of the Short Circuit Current  $I_{sc}$ .

The output Voltage of the Solar Cell has a Negative Temperature Coefficient – The output Voltage increases with decrease in temperature. For example, a Silicon Cell has a Temperature Coefficient of – 2.3 mV / °C / Cell. Hence, during cold winter days, the voltage will rise. ***As a Rule of Thumb, the voltage rating of the Charge Controller should be sized as 1.25 times the Open Circuit Voltage rating  $V_{oc}$  of the Solar Panel to ensure that the Charge Controller is not damaged due to over voltage.***



## SECTION 3 | General Information: Batteries

### Battery Types

This charge controller is suitable to support the following battery technologies.

#### Sealed Lead Acid (SLA) or Valve regulated Lead Acid (VRLA) Batteries

Sealed Lead Acid (SLA) batteries or Valve Regulated Lead Acid (VRLA) batteries can either be Gel Cell or AGM (Absorbed Glass Mat). In a Gel Cell battery, the electrolyte is in the form of a gel. In AGM (Absorbed Glass Mat) battery, the electrolyte is soaked in Glass Mat. In both these types, the electrolyte is immobile. There are no refill caps and the battery is totally sealed. Hydrogen and Oxygen released during the charging process are not allowed to escape and are recombined inside the battery. Hence, there is no water loss and the batteries are maintenance free. These batteries have safety valves on each cell to release excessive pressure that may be built up inside the cell. The Gel Cell is the least affected by temperature extremes, storage at low state of charge and has a low rate of self discharge. An AGM battery will handle overcharging slightly better than the Gel Cell.

#### Non Sealed (Vented / Flooded / Wet Cell) Lead Acid Batteries

In a non-sealed / vented / flooded / wet cell battery, each individual cell compartment has a refill cap that is used to top up the cell with distilled water and to measure the specific gravity of the electrolyte using a hydrometer. When fully charged, each individual cell has a voltage of approximately 2.105V and electrolyte specific gravity of 1.265. As the cell discharges, its voltage and specific gravity drop. Thus, a healthy, fully charged, 12V nominal battery with each of the 6 cells fully charged to 2.105V will measure a Standing Voltage of 12.63V at 25°C / 77°F. Also, in a healthy battery, all the individual cells will have the same voltage and same specific gravity. ***If there is a substantial difference in the voltages (0.2V or higher) and specific gravities of the individual cells, the cells will require equalization.***

#### SLI (Starting, Lighting, Ignition) Batteries

SLI batteries that are used for automotive starting, lighting, ignition and powering vehicular accessories. SLI batteries are designed to produce high power in short bursts for cranking. SLI batteries use lots of thin plates to maximize the surface area of the battery for providing very large bursts of current (also specified as Cranking Amps). This allows very high starting current but causes the plates to warp when the battery is cycled. Vehicle starting typically discharges 1%-3% of a healthy

## SECTION 3 | General Information: Batteries

SLI battery's capacity. The automotive SLI battery is not designed for repeated deep discharge where up to 80% of the battery capacity is discharged and then recharged. *If an SLI battery is used for this type of deep discharge application, its useful service life will be drastically reduced.*

*This type of battery is not recommended for the storage of energy for DC powered devices like lighting, radios, inverters, etc. However, they are recommended as starting battery for the back-up generator.*

### Deep Cycle Lead Acid Batteries

Deep cycle batteries are designed with thick-plate electrodes to serve as primary power sources, to have a constant discharge rate, to have the capability to be deeply discharged up to 80% capacity and to repeatedly accept recharging. They are marketed for use in recreation vehicles (RV), boats and electric golf carts – so they may be referred to as RV batteries, marine batteries or golf cart batteries.

### Lithium Battery

Lithium batteries designed for lead acid drop-in replacement are supported by this charge controller in a 12V nominal or 24V nominal configuration. Ensure that the manufacturers recommended charge voltages are configured accordingly on the Charge Controller Dip Switch. Temperature compensation and Equalization should not be used with Lithium batteries.

### Units of Battery Capacity – Ampere Hours (Ah) and Reserve Minutes (RC)

Battery capacity is the measure of electrical energy the battery can store and deliver to a load. It is determined by the amount of current any given battery can deliver over a stipulated period of time. The energy rating is expressed in Ampere Hours (Ah). Normally, Ah capacity is rated at 20 Hour discharge rate i.e., the number of Amperes of current the battery can deliver for 20 Hours at 80°F (26.7°C) till the voltage drops to 10.5V for 12V battery and 21V for 24V battery. For example, a 100 Ah battery will deliver 5 Amperes for 20 Hours

Battery capacity is also expressed as **Reserve Capacity (RC)** in minutes. Reserve capacity is the time in minutes for which the battery can deliver 25 Amperes at 80°F (26.7°C) till the voltage drops to 10.5V for 12V battery and 21V for 24V battery. Approximate relationship between the two units is as follows:

**Capacity in Ah = Reserve Capacity in RC minutes x 0.6**

## SECTION 3 | General Information: Batteries

### Typical Battery Sizes

The Table below shows details of some popular battery sizes:

BCI* GROUP	BATTERY VOLTAGE, V	BATTERY CAPACITY, Ah
27 / 31	12	105
4 D	12	160
8D	12	225
GC2**	6	220

\* Battery Council International \*\* Golf Cart

Table 3.1. Popular Battery Sizes

### Reduction in Usable Capacity at Higher Discharge Rates

As stated above, the rated capacity of the battery in Ah is normally applicable at a discharge rate of 20 Hours. As the discharge rate is increased, the usable capacity reduces due to "Peukert Effect". This relationship is not linear but is more or less according to the Table below:

HOURS OF DISCHARGE	DISCHARGE RATE	DISCHARGE RATE FOR 100Ah BATTERY	USABLE CAPACITY
20 HRS.	C/20 A	5A	100 %
10 HRS.	C/10 A	10A	87 %
8 HRS.	C/8 A	12.5A	83 %
6 HRS.	C/6 A	16.7A	75 %
5 HRS.	C/5 A	20A	70 %
3 HRS.	C/3 A	33.3A	60 %
2 HRS.	C/2 A	50A	50 %
1 HRS.	C A	100A	40 %

Table 3.2. Battery Capacity versus Rate of Discharge

Using the above Table will show that a 100 Ah capacity battery will deliver 100% (i.e. full 100 Ah) capacity if it is slowly discharged over 20 hours at the rate of C/20 A or 5A. However, if it is discharged at a rate of 2 Hrs. (C/2A or 50A) then

## SECTION 3 | General Information: Batteries

theoretically, it should provide  $100 \text{ Ah} \div 50 \text{ A} = 2 \text{ Hours}$ . However, the Table above shows that for 2 Hours discharge rate (C/2A or 50A), the capacity is reduced to 50% (i.e. 50 Ah). Therefore, at 50 Ampere discharge rate the battery will actually last for  $50 \text{ Ah} \div 50 \text{ A} = 1 \text{ Hour}$ .

### State of Charge (SOC) of a Battery

The "Standing Voltage" of a battery can approximately indicate the State of Charge (SOC) of the battery. ***The "Standing Voltage" is measured after disconnecting any charging device(s) and the battery load(s) and letting the battery "stand" idle for 3 to 8 hours before the voltage measurement is taken.*** Table 3.3 shows the State of Charge versus Standing Voltage for a 12V lead acid battery system (6 cells in series) at around 80°F (26.7°C). For 24-volt systems, multiply by 2 (12 cells in series); for 48-volt systems, multiply by 4 (24 cells in series).

PERCENTAGE OF FULL CHARGE	STANDING VOLTAGE OF 12V NOMINAL BATTERY	Cell Voltage (12V BATTERY HAS 6 CELLS IN SERIES)
100%	12.63V	2.105V
90%	12.6V	2.10V
80%	12.5V	2.08V
70%	12.3V	2.05V
60%	12.2V	2.03V
50%	12.1V	2.02V
40%	12.0V	2.00V
30%	11.8V	1.97V
20%	11.7V	1.95V
10%	11.6V	1.93V
0%	= / < 11.6V	= / < 1.93V

Table 3.3. State of Charge versus Standing Voltage – 12V Battery

Check the individual cell Voltages. If the inter cell Voltage difference is more than a 0.2V, the battery will have to be equalized. ***Please note that only the non-sealed / vented / flooded / wet cell batteries are equalized. Do not equalize sealed / VRLA type of AGM or Gel Cell Batteries (unless allowed by the manufacturer).***

## SECTION 3 | General Information: Batteries

### Battery Efficiency

A lead-acid battery has an efficiency of only 75% - 85%. The energy lost appears as heat and warms the battery. This means that the Ampere Hour (Ah) energy required to charge a battery to its full rated capacity will be approximately 120% to 130% higher than the Ah capacity rating of the battery.

### Depth of Discharge and Battery Life

The deeper a battery is discharged on each cycle, the shorter the battery life. Using more batteries than the minimum required will result in longer life for the battery bank. A typical life cycle chart is given in the Table below:

DEPTH OF DISCHARGE % OF Ah CAPACITY	CYCLE LIFE OF GROUP 27 / 31	CYCLE LIFE OF GROUP 8D	CYCLE LIFE OF GROUP GC2
10	1000	1500	3800
50	320	480	1100
80	200	300	675
100	150	225	550

It is recommended that the depth of discharge should be limited to 50%.

*Table 3.4. Typical Cycle Life Chart*

### Effect of Temperature on Lead Acid Batteries

The charging characteristics of the battery will vary with temperature. This is nearly linear and the Voltage Coefficient of Temperature Change is normally taken as -3 mV to -5 mV / °C / Cell. The charging voltage is required to be reduced and as the temperature is decreased, the charging voltage has to be increased.

All charging voltage set points are normally specified at 25°C / 77°F. In solar systems, battery temperatures often vary up to 15°C from the 25°C reference. The Absorption, Float and Equalization Voltages must then be adjusted or a controller with Temperature Sensor should be used. Table below shows example of adjustments for Absorption Voltage of say 14.4V for 12V battery, (based on Voltage Coefficient of Temperature Change as -5 mV / °C / Cell or -30mV (.03V) for a 6 cell, 12V battery).

## SECTION 3 | General Information: Batteries

BATTERY TEMPERATURE	ABSORPTION VOLTAGE (12V BATTERY)
40°C	13.95V
25°C (Reference)	14.4V (Reference)
10°C	14.85V

Table 3.5. Absorption Voltage vs Temperature (example)

In case temperature compensation is not provided, the warmer battery at 40°C will begin to heat and outgas at 13.95V and will continue to overcharge until the non-compensated Absorption Voltage set point is reached (14.4V). In cooler temperatures, the 10°C battery will experience severe undercharging, resulting in sulfation.

*It is recommended that a battery charger / charge controller with a provision for temperature sensing and compensation should be used if the battery electrolyte temperature varies more than 5°C to 10°C (9°F to 18°F).*

### Loss of Battery Capacity at Low Temperatures

Batteries lose capacity in low temperatures. At 32°F (0°C), a battery will deliver about 70 to 80% of its rated capacity at 80°F (26.7°C). If the electrolyte temperature of the battery bank is lower than 80°F (26.7°C), additional batteries will be needed to provide the same usable capacity. For very cold climates, an insulated / heated battery compartment is recommended.

### Freezing of Electrolyte

For applications with low ambient temperature, the lead-acid battery must also be protected against freezing of the electrolyte. The risk of freezing depends on the state of charge. The chart given below illustrates the freezing limit as a function of the state of charge.

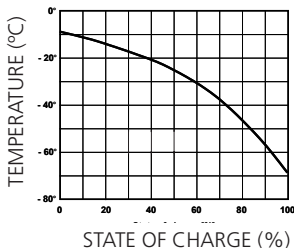


Fig 3.1. Temperature vs State of Charge

## SECTION 3 | General Information: Batteries

### Series and Parallel Connection of Batteries

#### Series Connection

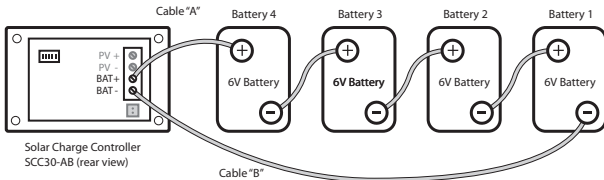


Fig. 3.2. Series Connection

When two or more batteries are connected in series, their voltages add up, but their Ah capacity remains the same. Fig. 3.2 above shows 4 pieces of 6V, 200 Ah batteries connected in series to form a battery bank of 24V with a capacity of 200 Ah. The Positive terminal of Battery 4 becomes the Positive terminal of the 24V bank. The Negative terminal of Battery 4 is connected to the Positive terminal of Battery 3. The Negative terminal of Battery 3 is connected to the Positive terminal of Battery 2. The Negative terminal of Battery 2 is connected to the Positive terminal of Battery 1. The Negative terminal of Battery 1 becomes the Negative terminal of the 24V battery bank.

#### Parallel Connection

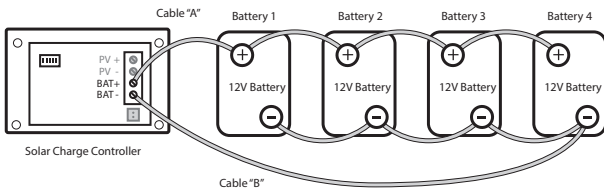


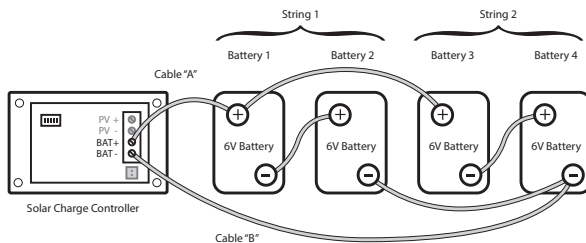
Fig. 3.3. Parallel Connection

When two or more batteries are connected in parallel, their voltage remains the same but their Ah capacities add up. Fig. 3.3 above shows 4 pieces of 12V, 100 Ah batteries connected in parallel to form a battery bank of 12V with a capacity of 400 Ah. The four Positive terminals of Batteries 1 to 4 are paralleled (connected together) and this common Positive connection becomes the Positive terminal

## SECTION 3 | General Information: Batteries

of the 12V bank. Similarly, the four Negative terminals of Batteries 1 to 4 are paralleled (connected together) and this common Negative connection becomes the Negative terminal of the 12V battery bank.

### Series – Parallel Connection



*Fig. 3.4. Series-Parallel Connection*

Figure 3.4 above shows a series – parallel connection consisting of four 6V, 200 Ah batteries to form a 12V, 400 Ah battery bank. Two 6V, 200 Ah batteries, Batteries 1 and 2 are connected in series to form a 12V, 200 Ah battery (String 1). Similarly, two 6V, 200 Ah batteries, Batteries 3 and 4 are connected in series to form a 12V, 200 Ah battery (String 2). These two 12V, 200 Ah Strings 1 and 2 are connected in parallel to form a 12V, 400 Ah bank.



#### CAUTION!

When 2 or more batteries / battery strings are connected in parallel and are then connected to a charger (See Fig. 3.3 and 3.4), attention should be paid to the manner in which the charger is connected to the battery bank. Please ensure that if the Positive output cable of the battery charger (Cable "A") is connected to the Positive battery post of the first battery (Battery 1 in Fig. 3.3) or to the Positive battery post of the first battery string (Battery 1 of String 1 in Fig. 3.4), then the Negative output cable of the battery charger (Cable "B") should be connected to the Negative battery post of the last battery (Battery 4 as in Fig. 3.3) or to the Negative Post of the last battery string (Battery 4 of Battery String 2 as in Fig. 3.4). This connection ensures the following:



## SECTION 3 | General Information: Batteries

- The resistances of the interconnecting cables will be balanced.
- All the individual batteries / battery strings will see the same series resistance.
- All the individual batteries will charge at the same charging current and thus, will be charged to the same state at the same time.
- None of the batteries will see an overcharge condition.

If the Positive output cable of the battery charger (Cable "A") is connected to the Positive battery post of the first battery (Battery 1 in Fig. 3.3) or to the Positive battery post of the first battery string (Battery 1 of String 1 in Fig. 3.4), and the Negative output cable of the battery charger (Cable "B") is connected to the Negative battery post of the first battery (Battery 1 as in Fig. 3.3) or to the Negative Post of the first battery string (Battery 1 of Battery String 1 as in Fig. 3.4), the following abnormal conditions will result:

- The resistances of the connecting cables will not be balanced.
- The individual batteries will see different series resistances.
- All the individual batteries will be charged at different charging current and thus, will reach fully charged state at different times.
- The battery with lower series resistance will take shorter time to charge as compared to the battery which sees higher series resistance and hence, will experience over charging and its life will be reduced.

### Sizing the Battery Bank

The capacity of the battery bank in Ampere Hours (Ah) is determined based on the amount of energy that is required to be provided for operating the desired DC and AC loads for desired span of time in hours.

For example, backup energy may be required for say 4 hours or 1 day (24 Hours) or 3 days (72 Hours). In this connection, the following formulae will be applicable:

## SECTION 3 | General Information: Batteries

<b>FORMULA 1</b>	DC Power in Watts (W)	DC Volts (V) x DC Current (A)	
<b>FORMULA 2</b>	AC Power in watts (W)	AC Volts (V) x AC current (A) x Power Factor (0.8 Typical)	
<b>FORMULA 3</b>	DC Power drawn from the Battery by DC load fed directly from the battery	Power of DC load in Watts (W)	
<b>FORMULA 4</b>	DC power drawn from the battery by AC load fed from DC-AC inverter	1.2 x Power of AC load in Watts (W) (Assuming typical efficiency of inverter = 84%)	
<b>FORMULA 5</b>	Energy consumption from the battery in Watt Hour (Wh)	Power in Watts (W) x time in Hours (h)	
<b>FORMULA 6</b>	Energy consumption from the battery in Ampere Hour (Ah)	12v Battery	Energy consumption in Watt-Hour (Wh) ÷ 12
		24v Battery	Energy consumption in Watt-Hour (Wh) ÷ 24

*Table 3.6. Battery Sizing Formulas*

**Determining Total Battery Energy Consumption** – First step is to determine the total battery energy consumption in Ampere Hours for running the desired AC and DC loads during the desired span of backup time:

- Find out the power rating of each AC and DC device in Watts (W). If Watt rating is not available, calculate the Watt rating using Formulae 1 or 2.
- Determine / calculate the power drawn from the battery in Watts (W) by each of the AC and DC devices. For DC devices, this will be the same as its DC Power rating (Formula 3). For AC devices powered from DC to AC inverter, use Formula 4 to calculate the power drawn in Watts (W) from the battery.
- Calculate the energy consumption in Watt-Hours (Wh) for each load using Formula 5 based on the number of hours each load is expected to run during the desired span of backup time. Add all to get the total energy in Watt Hours (Wh).
- Calculate the total battery energy consumption in Ampere Hours (Ah) for the combined DC and AC loads using Formula 6.

## SECTION 3 | General Information: Batteries

**Determining Actual Ah Capacity of Battery Bank** – Actual Ah capacity of the battery bank is determined based on the following considerations:

- e) As pointed out under heading “Reduction in Usable Capacity at Higher Discharge Rates” on page 11, the Ah capacity of a battery is normally specified at slower C/20 A i.e. 20 Hour discharge rate. However, in backup applications, batteries get discharged at much higher discharge rates. Normally, 3 Hour i.e. C/3 A Discharge Rate is considered for this application. As per Table 3.2, the usable capacity at this higher discharge rate will be reduced to 60%. The actual capacity of the battery will have to be increased by 1.66 times.
- f) Further, for longer battery life, the battery should not be discharged deeply (Please refer to heading “Depth of Discharge and Battery Life” on page 13). Normally, depth of discharge should be limited to 80%. Hence, the actual battery capacity will have to be increased to 1.25 times the backup energy consumption to compensate for this limitation.
- g) The actual battery capacity will, therefore, be equal to  $1.66 \times 1.25 = 2.07$  times or say 2 times.
- h) For example, if the total battery energy consumption as per the above calculation at (d) is say 200 Ah, the capacity of the battery bank will be  $2 \times 200\text{Ah} = 400\text{Ah}$ .

### Requirements of Battery Charging in Solar Systems

Batteries in Solar Systems are commonly subject to abusive conditions that are generally due to:

- Under charging due to low sun peak hours
- Excessive charging in high sun peak hours
- Inappropriate or ineffective charge control for the battery technology

The individual or combined effects of sun peak hour changes, poor charge control and the daily load changes can be potentially damaging to the battery. Cheaper charge control strategies such as simple ON/OFF PV array shedding (Non PWM control) will generally provide the battery with sufficient charging current to complete the Bulk Charge Phase which will return the battery to 80% State of Charge. After the Bulk Charge Phase, the Taper or Absorption Charge Phase is very important in preventing stratification, hard sulfation and pre-mature capacity loss.

## **SECTION 4 | Principle of Operation & Features**

SCC-30AB is a Series Type of PWM (Pulse Width Modulation) Solar Charge Controller. It is based on an advanced design using a micro-controller for digital accuracy and fully automatic operation. It can be used for 12V or 24V battery systems. PWM battery charging has been optimized for longer battery life. The unit is designed for user-friendly operation.

### **Features**

- Microcontroller based, high performance design for digital accuracy and fully automatic and intelligent operation
- Dual Voltage capability – can be used with 12V / 24V Solar Systems
- 30A charging capacity
- Series Mode PWM (Pulse Width Modulation) charging design at optimum PWM frequency of 300 Hz for low loss, higher efficiency charging and longer battery life
- 4 Stages of charging for 100% return of capacity and long battery life – Bulk, Absorption, Float and Equalization Stages
- Choice of 8 sets of Absorption / Float / Equalization Voltage settings to enable complete and safe charging of a wide range of Lead Acid and Lithium Batteries
- Convenient 2 x 16 character LCD Display with backlight for display of operating information and data. Additional LED indication for displaying the charging stages
- Remote Battery Temperature Sensor (BTS) Model 30AB-TS for temperature compensation to ensure improved charging of batteries that experience wider temperature variations during the year
- Specially designed for RVs, boats and trucks – allows convenient and aesthetic flush mounting on walls / panels

### **Principle of Operation of Solar Charging with Series Type Pulse Width Modulation (Pwm) Control**

The design and operation of SCC-30AB is based on Series Type PWM (Pulse Width Modulation) control at PWM frequency of 300 Hz.

## SECTION 4 | Principle of Operation & Features

### PWM Explanation

In order to understand the working of the controller, it is necessary to understand the concept of PWM and Duty Cycle, which are explained with the help of Fig. 4.1. The explanation is based on Series Type of PWM control

The output of the solar panel is connected to the battery in series with a Switch. Controlled ON / OFF operation of the Switch is used to control the current and the voltage to charge the battery.

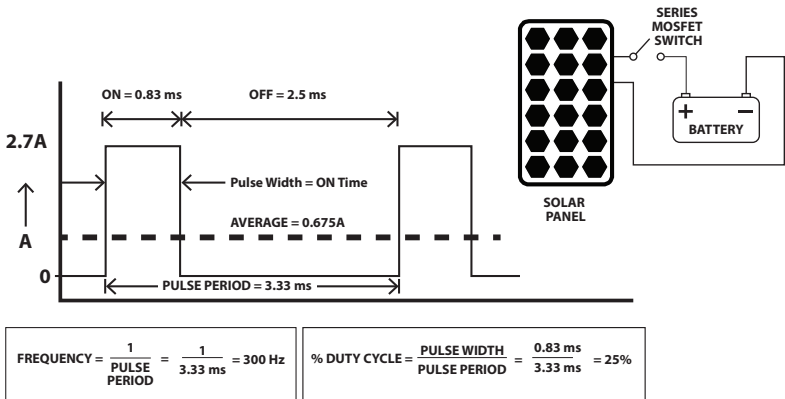


Fig. 4.1. Series Type PWM Control - PWM Frequency = 300 Hz

A solar panel is a current source that outputs almost constant current equal to its Short Circuit Current ( $I_{sc}$ ) over a wide voltage range (provided incident light, cell temperature and air mass remain constant). For example, please refer to Fig 2.2 at page 7 which shows Current versus Voltage Curve of a 12V nominal, 42.5W solar panel at Standard Test Conditions (Incident sunlight of 1000 W/m<sup>2</sup>, cell temperature of 25°C and Air Mass of 1.5). **It will be seen that Short Circuit Current ( $I_{sc}$ ) of 2.7A is almost constant over voltage range from 0V to around 15V.**

In the example shown in Fig. 4.1 above, the switch is fed with constant Short Circuit Current ( $I_{sc}$ ) of 2.7A of the 42.5W panel. 2 PWM output current pulses of the Switch at frequency of 300 Hz and Duty Cycle of 25% are shown.

## SECTION 4 | Principle of Operation & Features

PWM consists of repetitive cycles of controlled duration of ON and OFF states of the Switch. The Pulse Period of one cycle of 300 Hz PWM is the total combined duration of ON and OFF states of the Switch which is 3.33 ms. Number of cycles of switching per second is called the PWM Frequency. Mathematically, Frequency =  $(1 \div \text{Pulse Period "T"})$  and is 300 Hz in this case ( $1 \div 3.33 \text{ ms} = 300 \text{ Hz}$ ). The duration of ON state is also called the "Pulse Width". In PWM control, the duration of the Pulse Width is varied (modulated) and is defined by "Duty Cycle" which is the ratio of the "ON Time" to the "Pulse Period". Duty Cycle is normally specified in %. Thus, 0% Duty Cycle will mean that the switch is constantly OFF (will output 0A) and 100% Duty Cycle will mean that the switch is constantly ON (will output the full Short Circuit Current ( $I_{sc}$ ) i.e. 2.7A in the above example). For Duty Cycles  $> 0\%$  and  $< 100\%$ , the switch will alternate between ON and OFF states in a controlled manner in every cycle and will output variable current within a range of slightly higher than 0A to slightly less than the full Short Circuit Current ( $I_{sc}$ ) i.e. 2.7A in the above example.

Through PWM control, the Switch converts constant Short Circuit Current ( $I_{sc}$ ) at its input to controlled average current at its output by varying the Duty Cycle. The average value of output current of the Switch is equal to the constant input value of Short Circuit Current ( $I_{sc}$ ) multiplied by the Duty Cycle. Fig 4.1 above shows an example where 2.7A constant input Short Circuit Current ( $I_{sc}$ ) is reduced to average of 25% or to 0.675A by switching the 2.7A constant Short Circuit Current ( $I_{sc}$ ) ON and OFF at 25% Duty Cycle.

### PWM Charging in SCC-30AB

Battery charging is a current based process. Current fed to the battery results in re-charging of the cells and consequent rise in battery voltage. Controlling the current will control battery voltage. For 100% return of capacity, and for prevention of excessive gassing and sulfation, the battery charging voltage is required to be controlled at the specified Voltage Regulation Set Points for Absorption, Float and Equalization Charging Stages for different battery types. Battery can, thus, be charged at the specified Voltage Regulation Set Points by PWM of the charging current through control of Duty Cycle as explained above. The controller checks the battery voltage and updates the Duty Cycle regularly at a very fast rate. The Duty Cycle is proportional to the difference between the sensed battery voltage and the Voltage Regulation Set Point. Once the specified Voltage Regulation Set Point is reached, it is kept steady - rise in voltage is compensated by reducing the average current by reducing the Duty Cycle and fall in voltage is compensated by raising the average current by raising the Duty

## SECTION 4 | Principle of Operation & Features

Cycle. These fast updates on battery voltage measurements and Duty Cycle corrections ensure charging of the battery at the specified Voltage Regulation Set Point with minimum deviation of +/- 50mV.

**Optimum PWM Frequency:** The PWM frequency can range from tens of Hz to around 1000 Hz. At higher frequencies, the time period between the cycles is lesser and is not sufficient to complete the electro-chemical reactions. At lower frequencies, the rise times of the charging pulses are lower which results in higher gas bubble formation resulting in lowering of active surface area and increase of internal impedance. In SCC-30AB, frequency of 300 Hz is used for optimum charging performance.

### Charging Algorithms

#### Notes:

1. For proper understanding of the charging algorithm, please read Section 3 – General Information: Batteries.
2. For purposes of explanation given in Fig. 4.2A / 4.2B, it is assumed that there is no load on the battery during the day when charging is taking place. There is small lighting load at night, which is switched OFF during the day.

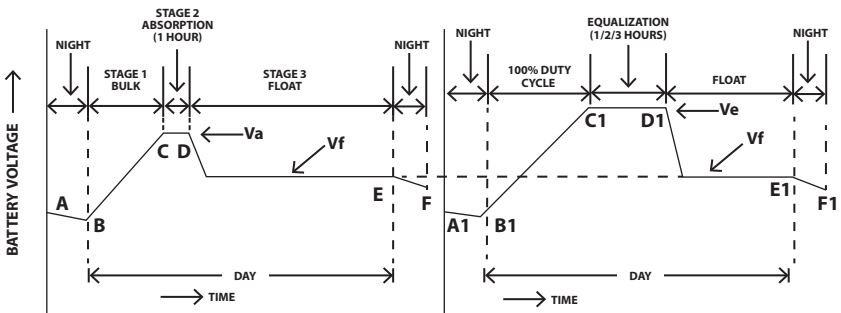


Fig. 4.2A. Normal Charging Algorithm

Fig 4.2B. Equalization Algorithm

Following three types charging algorithms are used to ensure return of 100% capacity and also to prevent excessive gassing:

- **Lead Acid - Normal Charging (Fig 4.2A):** This algorithm is used for normal day-to-day charging. Charging is sequential: Stage 1: Bulk Stage (100%

## SECTION 4 | Principle of Operation & Features

Duty Cycle which is equivalent to Constant Current) → Stage 2: Absorption Stage - constant voltage charging for 1 hour → Stage 3: Float Stage (Very low Duty Cycle of 0% to < 10% which is equivalent to Constant Voltage).

- **Lead Acid - Equalization Charging (Fig 4.2B):** This is carried out automatically after every 28 days or manually. Stage 1: Bulk Stage (100% Duty Cycle which is equivalent to Constant Current) → Stage 2: Equalization Stage - constant voltage charging at the equalization voltage → Stage 3: Float Stage (Very low Duty Cycle of 0% to < 10% which is equivalent to Constant Voltage).
- **Lithium Battery Charging (Fig 4.2A):** This algorithm is used for normal day-to-day charging of Lithium LiFePO<sub>4</sub> batteries designed for lead acid drop in replacements. Charging is sequential: Stage 1: Bulk Stage - Constant Current output until voltage reaches Absorption voltage set point. Stage 2: Absorption Stage - Constant voltage charging for 30 minutes. Stage 3: Float Stage - Constant voltage charging.

Transition from one stage to the other will be controlled by the selected Voltage Regulation Set Points as follows:

- Absorption Voltage Regulation Set Point "Va"
- Equalization Voltage Regulation Set Point "Ve"
- Float Regulation Voltage Set Point "Vf"

### Normal Lead Acid Charging Algorithm

Please refer to Fig 4.2A

**Stage - 1: Bulk Stage.** During night, the battery voltage will drop below the Float Transition Voltage Set Point "Vf" (Curve portion A to B), as there is no sun and discharging takes place due to loads that are powered during the night e.g. night lighting.

When the sun is available in the morning, charging commences in Bulk Stage. During this stage (Curve portion B to C), the Switch is kept at 100% Duty Cycle (ON continuously) and hence, maximum current equal to the available Short Circuit Current "Isc" of the panel is fed to the battery and the battery voltage starts rising. This is equivalent to Constant Current Charging. When the voltage



## SECTION 4 | Principle of Operation & Features

reaches the Absorption Regulation Voltage Set Point "Va" (Point "C") and is sustained for a minimum period of around 50 to 55 sec, the controller transitions to Absorption Stage. At the end of the Bulk Stage, the battery is charged to around 80% capacity. The balance of 20% capacity is restored in the next Absorption Stage.

During this stage, the LCD Screen 4 (Fig 5.3) on page 39 shows "State: Bulk". Screen 1 (Fig 5.3) shows the actual terminal voltage of the battery under "BatV".

**Stage - 2: Absorption Stage.** The controller enters this stage at Point "C" from the previous Bulk Stage when the battery voltage reaches the Absorption Voltage Regulation Set Point "Va" and is sustained for a minimum period of around 50 to 55 sec. This stage is timed for 1 Hr - either continuous or cumulative (Curve Portion C to D).

In this stage, the Switch operates under PWM control by feeding pulsing Short Circuit Current " $I_{sc}$ " with constantly reducing Duty Cycle (< 100% and > 0%) / average current to keep the battery voltage constant at the Absorption Voltage Regulation Set Point "Va" (Curve portion C to D). This is equivalent to Constant Voltage Charging. This is an intentional, controlled over voltage condition for the battery for 1 Hr. This is necessary to return the balance 20% of the capacity. At this voltage, the battery starts gassing (evolution of Hydrogen and Oxygen due to electrolysis of water in the electrolyte) and hence, it is necessary to exit this stage as soon as 100% capacity is restored. If this over voltage condition is allowed to continue after 100% recharging, the battery will be damaged due to effects of overcharging like overheating, loss of water, corrosion of the Positive plates and excessive build up of pressure resulting in acid spillage due to opening of pressure activated relief valves (sealed batteries). The balance of 20% of the battery capacity is restored in this stage. As the battery capacity rises from 80% to 100%, the PWM control tapers the current by continuously reducing the Duty Cycle from < 100% to > 0%.

**NOTE: Change over to the next Float Voltage Regulation Set Point "Vf" is possible only after the battery voltage is held at the selected Absorption Voltage Regulation Set Point "Va" for continuous or cumulative period of 1 Hour. If "Va" cannot be maintained continuously / cumulatively for 1 Hr, transition to Float Stage will NOT take place (the periods during which the battery voltage falls below "Va" are not counted towards 1 hour time period).**

## SECTION 4 | Principle of Operation & Features

During this stage, LCD Screen 4 displays “ State: Absorption”. LCD Screen 5 (Fig 5.3) shows the programmed Absorption Voltage Regulation Set Point (Displayed on the screen under “Bulk”).

***NOTE: During Absorption Stage, if the load current is more than the current from the solar panel, the battery voltage will drop. If the battery voltage drops around 1V below the Absorption Voltage Regulation Set Point “Va” for around 1 min, the controller reverts to Bulk Stage. PWM DUTY Cycle is changed to 100% and the LCD Screen 4 changes to “State: Bulk”.***

**Stage - 3: Float Stage.** The controller enters this stage from the previous Absorption Stage at point “D” after the battery voltage is held at the selected Absorption Voltage Regulation Set Point “Va” for continuous or cumulative period of 1 Hour.

During this stage (Curve portion “D” to “E”), the Switch operates under PWM control by feeding pulsing Short Circuit Current “Isc” with very low Duty Cycle of 0% to < 10% to keep the battery voltage constant at the Float Voltage Regulation Set Point “Vf”. During this stage, the battery is 100% charged and a very low “Trickle Charge” of around 0.1% of the Ah Capacity is required to be fed to the battery to compensate for self-discharge. The battery can be left at this stage for prolonged period of time.

During this stage, the LCD Screen 4 displays “State: Float”. Screen 5 displays the programmed Float Voltage Regulation Set Point (Displayed on the screen under “Float”).

***NOTE: During Float Stage, if the load current is more than the current from the solar panel, the battery voltage will drop. If the battery voltage drops around 1V below the Float Voltage Regulation Set Point “Vf” continuously for around 1 hour, the controller reverts to Stage 1: Bulk Stage. PWM DUTY Cycle is changed to 100% and the LCD Screen 4 (Fig 5.3) changes to “State: Bulk”.***

## SECTION 4 | Principle of Operation & Features

### Lithium Battery Charging

The following settings are for Lithium batteries, designed for drop in replacement of lead acid batteries.

DIP SWITCH 2-3-4	ABSORB VOLT	FLOAT VOLT	EQUAL VOLT	EQUAL TIME	EQUAL INTERVAL
ON-ON-OFF	14.3V	13.4V			Profile for Lithium
ON-ON-ON	14.4V	13.5V			Profile for Lithium

*Table 4.1. Lithium Battery Profile Settings*

The profiles operate the same as the lead acid profiles with the following exceptions:

- Temperature compensation is disabled
- Absorption time is 30 min instead of 1 hour
- Reset to Bulk charging mode occurs at 13.0V or 26V
- Equalization functions are disabled

### Equalization Charging

#### General Information on Equalization



#### CAUTION!

- Equalization is carried out only for non-sealed / vented / flooded / wet cell Lead Acid batteries.
- Do not equalize Lithium batteries.
- Do not equalize sealed / VRLA type of AGM / Gel Cell batteries unless permitted by the battery manufacturer
- Top up the electrolyte with distilled water after completion of equalization.
- Excessive overcharging and gassing too vigorously can damage the battery plates and cause shedding of active material from the plates. An equalization that is too high or for too long can be damaging. Review the requirements for the particular battery being used in your system.

## SECTION 4 | Principle of Operation & Features

- There should be no load on the batteries and there should be full bright sun for the entire day (no shade or clouds) to ensure that maximum available current from the panels can be used to equalize the batteries.
- The Short Circuit Current of the panels should be at least 5% to 10% of the Ah capacity of the battery bank

Equalization is intentional overcharging of the battery for controlled period of time. Routine equalization cycles are often vital to the performance and life of a battery — particularly in a solar system where peak sun hours per day are limited and variable and may not be sufficient to keep the battery in a fully charged condition. Periodic Equalization is carried out for proper health and long life of a Lead Acid battery to prevent / reduce the following undesirable effects:

**Sulfation:** If the charging process is not complete due to the inability of the charger to provide the required voltage levels or if the battery is left uncharged for a long duration of time, the soft Lead Sulfate crystals on the Positive and Negative plates that are formed during discharging / self discharge are not fully converted back to Lead Dioxide on the Positive plate and Sponge Lead on the Negative plate and get hardened and are difficult to dislodge through normal charging. These crystals are non-conducting and hence, introduce increased internal resistance in the battery. This increased internal resistance introduces internal voltage drop during charging and discharging. Voltage drop during charging results in overheating and undercharging and formation of more Lead Sulfate crystals. Voltages drop on discharging results in overheating and excessive voltage drop in the terminal voltage of the battery. Overall, this results in poor performance of the battery. Sulfation may be reduced partially by the stirring / mixing action of the electrolyte due to gassing and bubbling because of intentional overcharging during the Equalization Stage.

**Electrolyte Stratification:** Electrolyte stratification can occur in all types of flooded batteries. As the battery is discharged and charged, the concentration of Sulphuric Acid becomes higher at the bottom of the cell and lower at the top of the cell. Low acid concentration reduces capacity at the top of the plates, and high acid concentration accelerates corrosion at the bottom of the plates and shortens battery life. Stratification can be minimized through the Equalization Stage by raising the charging voltage during this stage so that increased gassing and bubbling agitates / stirs the electrolyte and ensures that the electrolyte has

## SECTION 4 | Principle of Operation & Features

uniform concentration from top to bottom. The stirring action also helps to break up any Lead Sulfate crystals, which may remain after normal charging.

**Unequal Charging of Cells:** During normal charging, temperature and chemical imbalances prevent some cells from reaching full charge. As the battery is discharged, the cells with lower voltage will be drained further than the cells at higher voltage. When recharged, the cells with higher voltage will be fully charged before the cells with lower voltage. The more a battery is cycled, the more cell voltage separation takes place. In a healthy battery, all the individual cells will have the same voltage and same specific gravity. If there is a substantial difference in the cell voltages (0.2V or more) and in the specific gravities (0.015 or more) of the individual cells, the cells will require equalization. Equalizing batteries helps to bring all the cells of a battery to the same voltage. During the Equalization Stage, fully charged cells will dissipate the charging energy by gassing while incompletely charged cells continue to charge.

**When to Equalize:** The ideal frequency of equalizations depends on the battery type (Lead Calcium, Lead-Antimony, etc.), the depth of discharging, battery age, temperature, and other factors. One very broad guide is to equalize flooded batteries every 1 to 3 months or every 5 to 10 deep discharges. Some batteries, such as the L-16 group, will need more frequent equalizations. The difference between the highest cell and lowest cell in a battery can also indicate the need for equalization. The battery manufacturer can recommend the Specific Gravity or voltage values for your particular battery. ***Normally, if the cell voltage differential is > 0.2V, equalization may be necessary.***

### Equalization Charging Algorithm

Equalization is carried out either automatically after every 28 days or manually when desired. Equalization Voltage Regulation Sets Points and Equalization Time / Interval will depend upon the type of battery being charged and can be programmed with the help of DIP Switches 2,3,4 located at the back of the unit (Fig 5.2). Voltage regulation Set Points will depend upon the type of battery being charged. This information is available as follows:

- At the back of the unit - Fig 5.2
- Table 6.3 under heading "Standard Battery Charging Programs" on page 46

Automatic equalization after interval of 28 days or manual equalization can be selected with the help of DIP Switch 5 located at the back of the unit (Fig 5.2).

## SECTION 4 | Principle of Operation & Features

When manual equalization is selected, equalization can be started and stopped manually with the help of Equalization Button on the front panel of the unit (Fig 5.1). Please see under heading “Push Buttons”, Table 5.2 on page 37 for manual ON / OFF procedure.

During Equalization the following related LCD and LED displays are activated:

- Status LED will blink ORANGE, once per second
- LCD Screen 4 displays “State: Equalization” all the time till the unit exits Equalization Stage to Float Stage.
- Screen 6 displays the set Equalization Voltage (under EQU), the Equalization Time (under EQU-T) and 28 day period (under CYCLE) pertaining to one of the 6 options of battery types that has been selected with the help of DIP Switches 2, 3, 4 (Fig 5.2 and Table 6.1)

### Automatic Equalization after Every 28 Days

Automatic equalization after interval of 28 days or manual equalization can be selected with the help of DIP Switch 5 located at the back of the unit (Fig 5.2). Please refer to Fig 4.1B.

**Stage - 1: Bulk Stage.** During the night of the 27th day, the battery voltage will drop below the Float Transition Voltage Set Point “Vf” (Curve portion A1 to B1), as there is no sun and discharging takes place due to loads that are powered during the night e.g. night lighting.

When the sun is available in the morning on the 28th day, Equalization is activated and charging commences in Stage -1, Bulk Stage. During this stage (Curve portion B1 to C1), the Switch is kept at 100% Duty Cycle (ON continuously) and hence, maximum current equal to the available Short Circuit Current “ $I_{sc}$ ” of the panel is fed to the battery and the battery voltage starts rising. This is equivalent to Constant Current Charging. When the battery voltage approaches the Absorption Transition Voltage Set Point “Va”, it starts gassing. As the voltage rises further towards the Equalization Voltage Regulation Set Point “Ve”, gassing increases. When the battery voltage reaches the Equalization Voltage Regulation Set Point “Ve” and is sustained for a minimum period of around 50 to 55 sec, the controller transitions to Equalization Stage (Point C1). At the end of the Bulk Stage, the battery is charged to around 80% capacity. The balance of 20% capacity is restored in the next Equalization Stage.

## SECTION 4 | Principle of Operation & Features

During this stage, the LCD Screen 4 displays "State: Equalization". Screen 1 shows the actual terminal voltage of the battery under "BatV". This voltage will be less than the programmed Equalization Voltage Set Point displayed on Screen 6 under "EQU".

**NOTE:** *Although the charger is in Bulk Stage, the LCD Screen 4 displays "State: Equalization" and NOT "State: Bulk."*

The Status LED will blink ORANGE, once per second.

**Stage - 2: Equalization Stage.** The controller enters this stage at point "C1" from the previous Bulk Stage when the battery voltage reaches the Equalization Voltage Regulation Set Point "Ve" and is sustained for a minimum period of around 50 to 55 sec. This stage is timed for continuous / cumulative period of 1/2/3 Hours based on the programmed type of battery (Please see Table 6.3 under heading "Standard Battery Charging Programs" on page 46). During the Equalization period (Curve portion C1 to D1), the battery is in overcharge condition, is gassing and bubbling vigorously and the electrolyte gets stirred up resulting in removal of stratification. Also, weaker cells are brought up to full charge too (equalized).

In this stage, the Switch operates under PWM control by feeding pulsing Short Circuit Current "Isc" with constantly reducing Duty Cycle (< 100% and > 0%) / average current to keep the battery voltage constant at the Equalization Voltage Regulation Set Point "Ve" (Curve portion C1 to D1). This is equivalent to Constant Voltage Charging. This is an intentional, controlled over charge condition for the battery for 1/2/3 Hrs.

Change over to the next Float Voltage Regulation Set Point "Vf" is possible only after the battery voltage is held at the selected Equalization Voltage Regulation Set Point "Ve" for continuous or cumulative period of 1/2/3 Hours depending upon the programmed type of battery (Please see Table 6.3 under heading "Standard Battery Charging Programs" on page 46). If "Ve" cannot be maintained continuously / cumulatively for 1/2/3 Hrs, the charger will NOT exit out of Equalization Stage and transition to Float Stage will NOT take place.

During this stage, LCD Screen 4 (Fig 5.3) displays " State: Equalization". LCD Screen 6 (Fig 5.3) displays the programmed Equalization parameters. Screen 1 (Fig 5.3) shows the programmed value of Equalization Voltage Regulation Set Point "Ve" under "BatV". The Status LED on the front panel will blink ORANGE, once per second.

## SECTION 4 | Principle of Operation & Features

**NOTE:** During Equalization Stage, if the load current is more than the current from the solar panel, the battery voltage will drop. If the battery voltage drops around 1V below the Equalization Transition Voltage Set Point “Ve” for around 1 min, the controller reverts to Bulk Stage with 100% Duty Cycle. The LCD Screen 4 (Fig 5.3) will still display “State: Equalization” and the front panel Status LED will still be blinking Orange. It will revert to PWM when the battery voltage reaches Equalization Transition Voltage Set Point “Ve” and is sustained for a minimum period of around 50 to 55 sec.



### WARNING!

Once Equalization Stage is activated, it will not exit this Stage unless there is adequate charging current from the solar panel to charge the battery up to the programmed Equalization Voltage Regulation Set Point “Ve” and maintain this voltage level for continuous or cumulative period of 1/2/3 Hours depending upon the programmed type of battery (Please see Table 6.3 under heading “Standard Battery Charging Programs” on page 46). If “Ve” cannot be maintained continuously for 1/2/3 Hrs due to inadequate charging current as a result of low / loss of sun light / charging current being diverted to load(s), the Equalization Mode will be carried forward till the programmed hours are completed or in other words, it will get locked in Equalization Stage (the periods during which the battery voltage falls below “Ve” are not counted towards 1/2/3 hour(s) time period). The following should be ensured to prevent locking in Equalization Mode:

- There should be no load on the batteries
- The panels should have adequate charging current capacity as compared to the Ah capacity of the batteries: Short Circuit Current I<sub>sc</sub> of the panels should be at least 5% to 10% of Ah capacity of the battery bank
- There should be adequate sunlight – full bright sun for the entire day (no shade or cloud)

**Stage 3: Float Stage.** The controller enters this stage from the previous Equalization Stage at point “D1” after the battery voltage is held at the programmed Equalization Voltage Regulation Set Point “Ve” for continuous or cumulative period of 1/2/3 Hour. During this stage (Curve portion “D1” to “E1”), the Switch operates under PWM control by feeding pulsing Short Circuit Current



## SECTION 4 | Principle of Operation & Features

"Isc" with very low Duty Cycle of 0% to < 10% to keep the battery voltage constant at the Float Voltage Regulation Set Point "Vf". During this stage, the battery is 100% charged and a very low "Trickle Charge" of around 0.1% of the Ah Capacity is required to be fed to the battery to compensate for self-discharge. The battery can be left at this stage for prolonged period of time. During this stage, the LCD Screen 4 (Fig 5.3) displays "State: Float". Screen 5 (Fig 5.3) displays the programmed Float Voltage Regulation Set Point (Displayed on the screen under "Float").

The Status LED on the Front Panel will be steady Green.

**NOTE: During Float Stage, if the load current is more than the current from the solar panel, the battery voltage will drop. If the battery voltage drops around 1V below the Float Voltage Regulation Set Point "Vf" continuously for around 1 hour, the controller reverts to Bulk Stage and the LCD Screen 4 (Fig 5.3) changes to "State: Bulk".**

### Manual Equalization

Manual equalization can be selected with the help of DIP Switch 5 located at the back of the unit (Fig 5.2).

When manual equalization is selected, equalization can be started and stopped manually with the help of Equalization Button on the front panel of the unit (Fig 5.1).

- Switch ON: Press and hold Equalization Button for 5 sec
- Switch OFF: Press and hold Equalization Button for 2 sec

Whenever manual equalization is started, the controller starts from Stage -1 Bulk Stage as explained above under heading "Automatic Equalization After 28 Days."

**Termination of Equalization Stage in Manual Mode Before Completion:** If the unit is set for manual Start / Stop of Equalization Stage (Using DIP Switch No. 5) and equalization is switched ON but is switched OFF before completion, the charger reverts to "Bulk Stage" and undergoes Normal Charging Algorithm explained above.

### Temperature Compensation During Charging

The temperature of the battery electrolyte affects the rate of chemical reactions in the batteries as well as the rate of diffusion and the resistivity of the electrolyte. Therefore, the charging characteristics of the battery will vary with temperature. This is nearly linear and the Voltage Coefficient of Temperature Change is normally taken as -3 mV to -5 mV / °C / Cell. Please note that the

## SECTION 4 | Principle of Operation & Features

Voltage Coefficient of Temperature Change is negative which means that as the temperature rises, the charging voltage is required to be reduced and as the temperature is decreased, the charging voltage has to be increased.

All charging voltage set points are normally specified at 25°C / 77°F. In PV systems, battery temperatures often vary up to 15°C from the 25°C reference. The Absorption, Float & Equalization Voltages must then be adjusted, or a controller with Temperature Sensor should be used. Table 3.4 on page 13 shows example of adjustments for Absorption Voltage of say 14.4V for 12V battery (based on Voltage Coefficient of Temperature Change as -5 mV / °C / Cell or -30mV (.03V) for a 6 cell, 12V battery).

In case temperature compensation is not provided, the warmer battery at 40°C will begin to heat and outgas at 13.95V and will continue to overcharge until the non-compensated Absorption Voltage set point is reached (14.4V). In cooler temperatures, the 10°C battery will experience severe undercharging resulting in sulfation.

The controller has provision for temperature compensation with the help of Temperature Sensor. This Temperature Sensor is required to be connected to the terminals marked BTS+ and BTS- (Fig 5.2).

It is recommended that the above Temperature Sensor may be used if the battery electrolyte temperature varies more than 5°C to 10°C (9°F to 18°F) from the reference temperature of 25°C (77°F).

## SECTION 5 | Construction, Layout & Controls

### General

SCC-30AB is designed for flush mounting on a wall / panel. The controls and indications are built on the Front Panel face plate that has 4 countersunk holes for flush mounting (Fig. 5.1). All the electronics, DIP switches for settings, terminal strip for connections for the PV Array and the Battery and terminal for the Battery Temperature Sensor (BTS) are mounted on a PCB that is in turn mounted at the back of the face plate (Fig. 5.2). For flush mounting on the wall / panel, a suitable cutout is required to be made in the wall / panel to accommodate the PCB at the back of the unit. As the components at the back of

# SECTION 5 | Construction, Layout & Controls

the unit will be hidden and protected behind the wall / panel, the components at the back of the unit are exposed and do not have a protective cover. **PLEASE HANDLE THE UNIT CAREFULLY TO PREVENT ANY DAMAGE TO THE EXPOSED COMPONENTS AT THE BACK OF THE UNIT.**

**NOTE: As the unit will be connected to 12V / 24V Nominal Solar Array / battery system, there is no likelihood of electrical shock.**

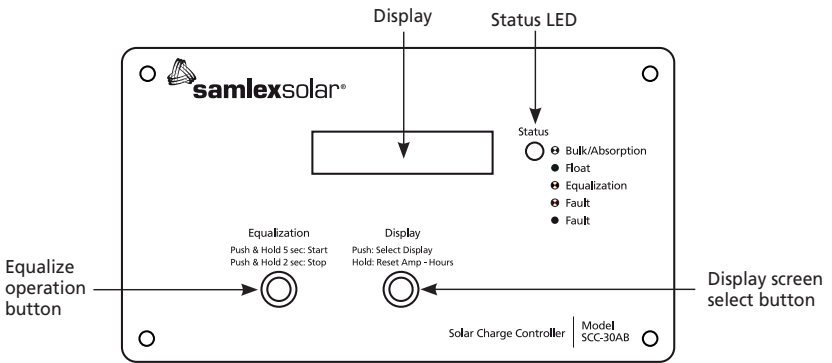


Fig. 5.1. Front Panel of SCC-30AB

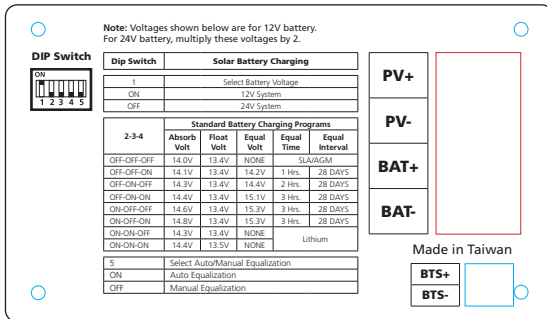


Fig. 5.2. Back view of SCC-30AB

Notes:

1. Voltages shown are for 12V battery. For 24V battery, multiply these voltages by 2.
2. All voltage values are at battery temperature of 25°C/77°F

## SECTION 5 | Construction, Layout & Controls

### Controls & Indications

The description and the functions of the controls and indications are given below:

#### Front Panel

A single, 3-color LED (GREEN, RED, ORANGE) marked "Status" (2, Fig 5.1) is used to indicate charging stages and faults as given below in Table 5.1.

LED Marked "Status" (2, Fig 5.1)	Charging Stage or Fault Condition	12V Battery	24V Battery
1 Blink (Green)	Bulk	> 0.75v Below Absorption setting	> 1.5v below Absorption setting
2 Blinks (Green)	Bulk	0.75v Below Absorption setting	1.5v below Absorption Setting
3 Blinks (Green)	Bulk	0.50v Below Absorption setting	1.0v below Absorption setting
4 Blinks (Green)	Bulk	0.25v Below Absorption setting	0.5v below Absorption setting
5 Blinks (Green)	Absorption	At Absorption Voltage setting	At Absorption Voltage setting
Steady Green	Float	At Float Voltage setting	At Float Voltage setting
Blinking Orange	Equalization	In Equalization Stage	In Equalization Stage
Steady Red	Fault condition	Input current > 40a	Input current > 40a
		Low Battery Voltage: < 9v	Low battery voltage: < 18v
		Operating temperature Is < -20°C	Operating temperature Is < -20°C
		Display Panel error	Display panel error
Blinking Red	Fault condition	Heat Sink temperature > 90°C	Heat Sink temperature > 90°C

*Table 5.1. LED Display for Charging Stages & Faults*

## SECTION 5 | Construction, Layout & Controls

BUTTONS	ACTION
Display (3, Fig 5.1)	Push to change the LCD display screens (Fig. 5.3) Push and hold to reset Amp-Hours.
Equalization (4, Fig. 5.1)	When DIP Switch 5 is set at OFF, hold Restart / Stop Equalization for 5 sec to manually start equalization. Press it for 2 sec to stop equalization.

*Table 5.2. Push Button Operation*

### LCD Display – Operational Information

The LCD Display (1, Fig. 5.1) is a 2 Line, 16 character display with backlighting. The backlighting switches OFF after 30 seconds and switches ON again when any button is pressed. The Push Switch marked "PUSH: Select Display" (3, Fig. 5.1) and "HOLD: Reset Amp Hours" (3, Fig 5.1) is used to manipulate the LCD functions. Every time the Push Switch is pressed momentarily, the screen display scrolls. The scrolling sequence is shown in Fig. 5.3. Please note that the 7 screens are sequential & are displayed in a continuous loop: 1 - 2 - 3 - 4 - 5 - 6 - 7 - 1 - 2 - 3 and so on (See Fig. 5.3). When selected, Screens 2 to 7 will be displayed for 15 minutes and thereafter, will revert to Screen 1 (Default Screen). Details of information provided in the LCD screens (Fig 5.3) are given below:

**SCREEN 1:** Shows the solar array current / charging current in Amperes (Amp), Battery Voltage in V (BatV) and the power delivered by the solar array / fed to the batteries in Watts (Watts). The value of Watts = the charging current in Amperes (Amp) x Battery Voltage in V (BatV).

**SCREEN 2:** It is a resettable counter that displays the Ampere Hours (Amp-Hours) of energy (in Ah) delivered by the solar panel into the batteries with effect from the time the solar panel has been connected or with effect from a desired starting / reference point after the counter is set to 0. ***The counter can be set to zero with the help of the Push Button marked "Reset Amp-Hours" (Push and hold the Push Button till the counter resets to 0).*** For example, due to its 75% to 85% efficiency, a lead acid battery requires up to around 130% of Amp-Hour energy as compared to its rated Amp-Hour capacity to recharge fully. Hence, during start of recharging of say a fully discharged 100 Ah battery, the Amp-Hours counter can be set to 0. As 130 Amp-Hour of energy will be required to re-charge a fully discharged 100 Ah battery, a healthy battery is likely to be fully recharged when the Amp-Hour counter approaches 130 Amp-Hours.

## SECTION 5 | Construction, Layout & Controls

**SCREEN 3:** Counts the total running Ampere Hours (Amp-Hours) of energy (in Ah) delivered by the solar panel into the batteries. ***This will only reset if the battery connection is removed.***

**SCREEN 4:** Displays the charging Mode in progress: Bulk or Absorption or Equalization or Float.

**SCREEN 5:** Displays the Bulk (same as Absorption) and Float Voltages that have been programmed for the desired battery type corresponding to one of the 8 options that can be selected with the help of DIP Switches 2, 3, 4 (Table 6.3).

**SCREEN 6:** Displays the programmed Equalization Voltage (EQU, inV), Equalization Time (EQU-T, in Hours) and Equalization Cycle (CYCLE, in days). These parameters are automatically set once a particular battery type corresponding to one of the 8 options has been programmed using DIP Switches 2,3,4 (Table 6.3).

**SCREEN 7:** Displays the heat sink temperature (Heatsink) in °C (the metal plate of the front panel acts as the heat sink). It also displays the temperature of the battery in °C when the Battery Temperature Sensor (BTS) is used.

# SECTION 5 | Construction, Layout & Controls

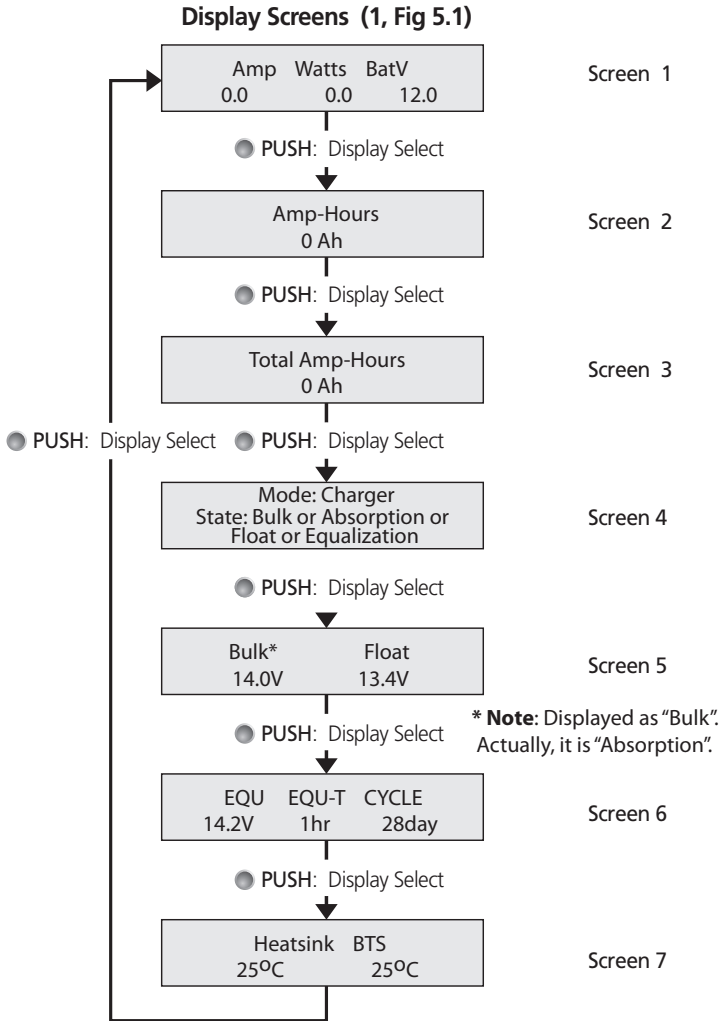


Fig. 5.3. LCD Display Flow

## SECTION 5 | Construction, Layout & Controls

### LCD Display – Fault Messages

The LCD display indicates the following fault messages when SCC-30AB stops operating.

DISPLAY	DESCRIPTION	CAUSE OF FAULT
Alarm: OC Over Current	Over Current	The current exceeds the rated current of 30A i.e. 45A
Alarm: OT	Heat Sink over temperature	Heat sink temperature exceeds 90°C.
Alarm: CPF00 Link Master Error	Display Panel error	The CPU is not able to exchange data with the Display Panel.
Alarm: CPF04 DC / DC Low Volt	Low Battery Voltage < 9V for 12V Battery < 18V for 24V Battery	1. Batteries are discharged below the minimum acceptable level, or 2. DIP Switch 1 is set for 24V battery but the battery is 12V.
Alarm: CPF09 Heat Sink SR Open	Low operating temperature	Operating temperature of the unit is below the specified limit of -20°C or -4°F.

*Table 5.3. Fault Messages on the LCD Display*

*NOTE: See Table 7.1 under Section 7 – Troubleshooting for more details.*

### Back of the Unit

The back of the unit (Fig 5.2) has the following input / output connections and DIP Switches for various settings.

NAME	DESCRIPTION	
PV+	Connecting terminal for Solar Array Positive	
PV-	Connecting terminal for Solar Array Negative	
BATTERY +	Connecting terminal for Battery cable Positive	
BATTERY -	Connecting terminal for Battery cable Negative	
DIP SWITCH 1	ON*	Selection of Battery Voltage for 12V system
	OFF	Selection of Battery Voltage for 24V system
DIP SWITCH 2,3,4	For programming Battery Type & Charging Algorithm (See Table 6.1)	
DIP SWITCH 5	ON	Selection of Auto Equalization
	OFF*	Selection of Manual Equalization
BTS	Battery Temperature Sensor for temperature compensation	

*Table 5.4. Control & Terminal Connections (At the back of the unit)*

*\*NOTE: Factory preset condition*



## SECTION 6 | Installation & Operation



### WARNING!

- ENSURE that the battery + and - wires are correctly connected before proceeding.
- Damage due to reverse battery connection is not covered under warranty!
- When connecting the battery, connect the battery Negative first & then the battery Positive.

When disconnecting the battery, disconnect battery Positive first & then battery Negative.

## Installation Steps

### Wire Sizing – Solar Panel to Controller and Controller to the Battery

Wiring should be sized as recommended in the Table below:

Current, A ↓	Wire Size in AWG ↓					
	#12	#10	#8	#6	#4	#2
	Running Distance in ft.: Controller to Solar Panel or Controller to Battery ↓					
Up to 10	15	30	40	80	120	130
11A to 20A	10	15	20	40	60	100
21A to 30A	-	10	15	25	40	60

Table 6.1. Maximum length of cable

### NOTES:

- Running distance is the actual distance taking into consideration the complete circuitous route followed by the wires for installation. Both the length of Positive and Negative cables.
- Current is the total Short Circuit Current  $I_{sc}$  of the Solar Panel / Array. For SCC-30AB, maximum continuous current allowed is 30A.
- If the actual running distance does not match distance shown, base the wire size for the next higher distance. For example, if  $I_{sc}$  is 15A and running distance is 18ft, use AWG # 8 for 12 ft.

## SECTION 6 | Installation & Operation

This section provides a brief overview of how to get started using the SCC-30AB controller. However, please review the entire manual to ensure best performance and years of trouble-free service.

### NOTES:

- SCC-30AB prevents reverse current leakage at night through an internal MOSFET Switch, so an external Blocking Diode is not required in the system.
- Connecting wires should be sized to limit voltage drop from 2% to 3%.
- Tighten each terminal clamping screw to 20 inch-pounds of torque.
- SCC-30AB is designed to regulate power from a PV array. Other chargers can be connected directly to the battery with no effect on SCC-30AB.

### Installation Steps

1. As explained earlier in Section 4, SCC-30AB is designed for flush mounting on a wall panel. It has a face plate and a projecting part at the back consisting of the PCB with the Terminal Strip, connector for the Battery Temperature Sensor (BTS) and the DIP switches. The wall / panel will be required to be cut to accommodate the projections of the circuit board mounted on the back of the faceplate.

All the wiring – 2 wires from the Solar Array, 2 wires to the battery and 2 wires to the Battery Temperature Sensor (if used) will be led to the connections at the back of the unit from behind the wall / panel. Make sure that the pocket created behind the cut-out in the wall / panel is clear so that the back portion carrying the PCB is not damaged when the unit is pushed back into the cut-out section of the wall / the panel for flush mounting.

The front face plate of the SCC-30AB acts as the heat sink for the heat dissipating components mounted on the PCB at the back of the Front Panel face plate. ***Hence, please ensure that the Front Panel face plate is not located near a heat generating source and that there is adequate cooling air flow across the face plate to remove the heat dissipated from its surface.***

A drawing for making the cutout in the wall / panel is given at Fig 6.1 (not to scale). A full scale template is also included in the gift box to help direct marking the area to be cut out. 4 screws (7 x 19, 5/8", Type 25 point, Flat Head, Phillips, Self Tapping) have been provided to fix the unit to the wall / panel.



## SECTION 6 | Installation & Operation

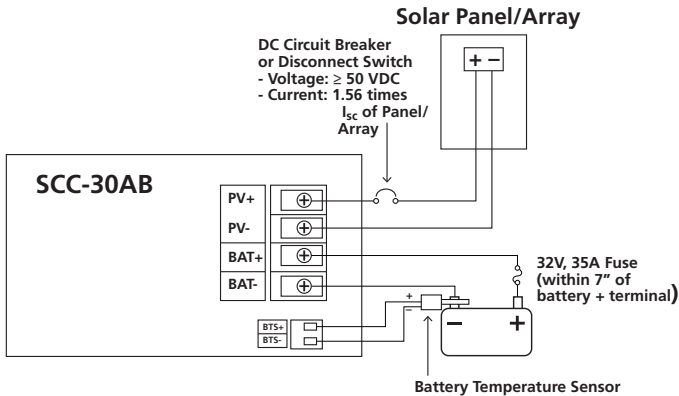


Fig. 6.2. Installation Diagram

3. The connections to the SCC-30AB terminals are shown in the drawing as in Fig. 6.2. A barrier type of Terminal Strip has been provided for connecting the PV array and the battery. M-4 screws with clamping washers are used to make the connection. A flat or a #2 Philips head screw driver may be used to tighten these screws. Tighten each terminal clamping screw to 20 inch-pounds of torque. The distance between the barriers is 9 mm and a standard Spade Type of terminal lug meant for #8 Stud and AWG #10 – AWG #12 wire may be used at the end of the wires to be connected to these terminals. **4 such terminal lugs are provided with the unit for ease of installation.**
4. Set DIP Switch 1 for the voltage system, set DIP Switches 2, 3, 4 for battery type and charging algorithm (see Table 6.1).
5. Connect the BATTERY first. Be careful that bare wires do not touch the metal case of the controller. Connect battery Negative first and then the battery Positive. **Use 32V, 35A fuse in series with the Positive battery wire to protect against fire hazard due to overheating/burning of battery wires due to short circuit along the length of wiring between the battery and the controller. The fuse should be located within 7" of the battery Positive post.**

**The BATTERY must be connected before the Solar Panel / Array to properly start the microcontroller, activate protections & guide installation.**

## SECTION 6 | Installation & Operation

A battery below 9V for 12V battery or 18V for 24V battery may not start the microcontroller properly. Make sure the battery is charged before installing the system.

As soon as Battery (+) is connected, the Status LED (2, Fig 5.1) will be steady Orange and message “Welcome to Samlex Solar 1.0” will be displayed for around 3 to 5 sec. After this, the LED will blink Green & Screen 1 (Fig 5.3) will be displayed: Amp 0.0; Watt 0.0; BatV=“the battery voltage”.

6. Connect the Solar Panel / Array next. It is recommended that the Positive of the PV Panel/Array be routed through easily accessible DC Circuit Breaker or DC Disconnect Switch (Rated at  $\geq 50$  VDC and current capacity = 1.56 times the Short Circuit Current “Isc” of the Solar Panel/Array). The Status LED indicator (2, Fig. 5.1) will blink Green if the Solar Panel / Array is connected during the daytime and the Solar Panel /Array is wired correctly (see Table 5.1 for details of LED display).

Remember that the Solar Panel /Array will generate power whenever in sunlight. Also, be careful not to short circuit the Solar Panel /Array while connected to the controller, since this will damage the controller.

7. For most effective surge protection, it is recommended that the Negative system conductor be properly grounded.

### DIP Switch Settings

Five DIP Switches permit the following parameters to be adjusted at the installation site:

NAME	DESCRIPTION	
DIP SWITCH 1	ON*	Selection of Battery Voltage for 12V system
	OFF	Selection of Battery Voltage for 24V system
DIP SWITCH 2,3,4	Battery charge control mode: Battery charging algorithm (see Table 6.1)	
DIP SWITCH 5	ON	Selection of Auto Equalization
	OFF*	Selection of Manual Equalization

Table 6.2. Dip Switch Settings

\*NOTE: Factory preset condition

## SECTION 6 | Installation & Operation

### Standard Battery Charging Programs

SCC-30AB provides 8 standard battery charging algorithms (programs) that are selected with DIP Switches 2, 3, 4.

Table 6.3 below summarizes the major parameters of the standard charging algorithms. **Note that all the voltages are for 12V systems. For 24V system, multiply the voltages by 2.**

- Consult the battery manufacturer / battery specifications & select the appropriate Algorithm.
- The unit is preset for Battery Type 1 (OFF-OFF-OFF) for a sealed / VRLA battery.
- For a generic non-sealed / vented / flooded / well cell Lead Acid battery, choose Battery Type 4.

#### NOTE:

1. All Voltage values are at battery temperature of 25°C (77°F).
2. All the voltages given in the Table are for 12V Battery System.  
For 24V Battery Systems multiply the voltage values by 2.

	A	B	C	D	E	F
DIP Switches (2-3-4)	Battery Type	Absorption Voltage	Float Voltage	Equalize Voltage	Equalize Time (hours)	Equalize Interval (days)
OFF-OFF-OFF (Factory Preset)	1 – Sealed	14.0	13.4	None	-	-
OFF-OFF-ON	2 – Sealed	14.1	13.4	14.2	1	28
OFF-ON-OFF	3 - Sealed	14.3	13.4	14.4	2	28
OFF-ON-ON	4 - Flooded	14.4	13.4	15.1	3	28
ON-OFF-OFF	5 - Flooded	14.6	13.4	15.3	3	28
ON-OFF-ON	6 - Flooded	14.8	13.4	15.3	3	28
ON-ON-OFF	7 - Lithium	14.3	13.4	None	-	-
ON-ON-ON	8 - Lithium	14.4	13.5	None	-	-

Table 6.3. Standard Battery Charging Programs

## SECTION 6 | Installation & Operation

- A. **Battery Type** These are generic Lead-Acid – wet cell (Lead Antimony, Lead Calcium), sealed AGM, sealed Gel Cell and Lithium battery types.
- B. **Absorption Voltage** This is the Absorption Voltage Regulation Set Point. **Note:** This voltage will be displayed as “Bulk” on Screen 5 of LCD Display (Fig. 5.3).
- C. **Float Voltage** This is the Float Voltage Regulation Set Point. It will be displayed in Screen 5 of LCD Display (Fig 5.3).
- D. **Equalization Voltage** This is the Equalization Voltage Regulation Set Point. It will be displayed in Screen 6 (Fig 5.3) under “EQU”.
- E. **Equalization Time** The charging at the selected Equalization Voltage will continue for this number of hours. This is displayed in Screen 6 of the LCD Display (Fig. 5.3) under “EQU-T”.
- F. **Equalization Interval** Automatic equalization is enabled (with DIP Switch 5). Equalizations are typically done once a month. Most of the cycles are 28 days so equalization will begin on the same day of the month. Each new cycle will be reset as equalization starts so that setting day period will be maintained. This is displayed in Screen 6 of the LCD Display (Fig. 5.3) under “CYCLE”.

### Equalization Procedure

**Note:** Please read background information on equalization on and Equalization Charging Algorithm on.

#### Standard Equalization Programs

Both automatic and manual equalizations can be performed using the standard charging programs (Table 6.3).

#### Manual Equalization

SCC-30AB is shipped with the DIP Switch (Fig 5.2) set for manual equalization (OFF position). This is to avoid an unexpected or unwanted automatic equalization. In the Manual Mode, the push button marked “Equalization” (Fig 5.1) is used to both start and stop a manual equalization. **Hold the push button down for 5 seconds to start and 3 seconds to stop an equalization (depending on whether an equalization is in progress or not).**

## SECTION 6 | Installation & Operation

There are no limits to how many times the push button can be used to start and stop equalizations. Equalizations will be terminated automatically as per the charging program selected if the push button is not used to manually stop the equalization.

### Automatic Equalization

If the equalization DIP Switch (Fig 5.2) is moved to the ON position, equalizations will begin automatically as per the charging program selected (Table 6.3). Other than starting, automatic and manual equalizations are the same and follow the standard charging program selected (Table 6.3). The push button can be used to start and stop equalizations in both the Manual and Automatic Modes.

### Typical Equalization

As soon as Equalization is activated, following indications will be seen:

- Status LED (Fig 5.1) will blink Orange, once per second
- Screen 4 (Fig. 5.3) will show "State: Equalization"
- Screen 6 (Fig. 5.3) will display Equalization parameters related to the programmed battery type/charging algorithm (Table 6.3)
- Once the battery is overcharged and its voltage rises to the Equalization Voltage Regulation Set Point and is sustained at this level for the programmed period, the charger will revert to Float Stage – Status LED will be steady Green and Screen 4 will show "State: Float".

**NOTE:** If for any reason charging current is not sufficient to raise the Battery Voltage to the Equalization Voltage Regulation Set Point and sustain this voltage for the programmed duration, equalization will be carried forward to the following day(s) and will continue to remain locked in Equalization Stage until cumulative time period is achieved. Equalization may be terminated manually and re-started when adequate sun is available. Also, please remove all loads on the battery to ensure that full current from the panels is available to complete equalization in one session.



## SECTION 6 | Installation & Operation

### Temperature Compensated Battery Charging

Please read background information on temperature compensation under heading “Effect of Temperature on Lead Acid Batteries” on page 13.

A Battery Temperature Sensor (BTS) is available for temperature compensated battery charging.



#### CAUTION!

*The wiring of the Temperature Sensor is polarized and is marked (+) and (-). Please observe correct polarity of connection to terminals BTS+ and BTS-.*

BTS consists of a temperature sensing probe that is installed on the (-) Negative battery post (Fig. 6.2). The temperature of the battery post reflects the approximate temperature of the electrolyte. A pair of 10 metres wires (marked + & -) connect the temperature sensing probe to the 2 terminals marked (+) BTS and (-) BTS at the back of the unit.

As the battery gets warmer, the gassing increases. As the battery gets colder, it becomes more resistant to charging. Depending on how much the battery electrolyte temperature varies, it is important to adjust the charging for temperature changes. **Various voltage set points given in the specifications are indicated at a reference temperature of 25°C / 77°F.**

It is recommended that Battery Temperature Sensor (BTS) is used if the battery electrolyte temperature (measured at the + terminal stud) fluctuates more than 5°C to 10°C (9°F to 18°F) from the reference temperature of 25°C (77°F).

The Battery Temperature Sensor (BTS) corrects the Absorption, Equalization & Float Voltage by the following values (reference temperature is 25°C / 77°F):

- 12V battery: -0.030V per °C (-0.017V per °F).
- 24V battery: -0.060V per °C (-0.033V per °F).

The temperature sensed by the BTS at the battery is displayed on the LCD screen under the screen display “Heatsink BTS”.

## SECTION 6 | Installation & Operation

Typical compensation is given in Table 6.4 below:

BATTERY ELECTROLYTE TEMPERATURE	VOLTAGE COMPENSATION	
	12V BATTERY	24V BATTERY
50°C / 122°F	- 0.75V	-1.50V
45°C / 113°F	- 0.60V	- 1.20V
40°C / 104°F	- 0.45V	- 0.90V
35°C / 95°F	- 0.30V	- 0.60V
30°C / 86°F	- 0.15V	- 0.30V
25°C / 77°F (Reference)	0V (Reference)	0V (Reference)
20°C / 68°F	+ 0.15V	+ 0.30V
15°C / 59°F	+ 0.30V	+ 0.60V
10°C / 50°F	+ 0.45V	+ 0.90V
5°C / 41°F	+ 0.60V	+ 1.20V
0°C / 32°F	+ 0.75V	+ 1.50V

*Table 6.4. Temperature Compensation of Voltage Settings*

## SECTION 7 | Troubleshooting

SCC-30AB is very rugged and designed for the most extreme operating conditions. Most PV system problems will be caused by connections, Voltage drops, and loads.

Troubleshooting the SCC-30AB controller is simple. Some basic troubleshooting procedures are listed below.

DISPLAY	FAULT LED	DESCRIPTION	CAUSE OF FAULT / REMEDY
Alarm: OC Over Current	Steady Red	Over Current	Input current exceeds 150% of the rated current of 30A i.e. 45A
Alarm: OT	Blinking Red	Heat Sink over Temperature	Heat sink temperature exceeds 90°C Auto-reset at 70°C
Alarm: CPF00 Link Master Error	Steady Red	Display Panel Error	The CPU is not able to exchange data with the Display Panel
Alarm: CPF00 Link Master Error  Display is dim or OFF	OFF	Display Panel Error	1. The CPU is not able to exchange data with the Display Panel. 2. Battery voltage is below $7V \pm 0.2V$ Auto-reset at 10V and above.
Alarm: CPF04 DC / DC Low Volt	Steady Red	Low Voltage	1. Low Battery Voltage: < 9V for 12V Battery < 18V for 24V Battery 2. If this symptom is for a 12V Battery System, check & ensure that DIP Switch 1 at the back of the unit is selected for 12V battery and not for 24V battery.  Auto-reset at 10V and above
Alarm: CPF09 Heat Sink SR Open	Steady Red	Low Operating Temperature	Operating temperature is below -20°C (-4°F). Ensure operating temperature is above -20°C (-4°F).

*Table 7.1. Fault Indications & Remedies*

## SECTION 7 | Troubleshooting

### SYMPTOM 1. BATTERY IS NOT CHARGING

- Check the Status LED. This should be ON if it is daytime.
- Check that proper Battery Charging Algorithm (Program) has been selected by DIP Switches 2, 3, 4 (Table 6.3).
- Check that all wire connections in the system are correct and tight. Check the polarity (+ and -) of the connections.
- Measure the PV array Open Circuit Voltage and confirm it is within normal limits. If the voltage is low or zero, check the connections at the PV array itself. Disconnect the PV array from the controller when working on the PV array.
- Check that the load is not drawing more energy than the PV array can provide.
- Check if there are excessive voltage drops between the controller and the battery. This will cause undercharging of the battery.
- Check the condition of the battery. Determine if the Battery Voltage drops at night with no load. If it is unable to maintain its voltage, the battery may be failing.
- Measure the PV Voltage and the Battery Voltage at the SCC-30AB terminals. If the voltage at the terminals is the same (within a few tenths of V) the PV array is charging the battery. If the PV Voltage is close to the open Circuit Voltage of the panels and the Battery Voltage is low, the controller is not charging the batteries and may be damaged.

### SYMPTOM 2. BATTERY VOLTAGE IS TOO HIGH

- The Status LED will be blinking Green at 5 blinks and the Battery Voltage will be displayed on the LCD Display
- First check operating conditions to confirm that the voltage is higher than specifications.
- Check that proper Battery Charging Algorithm (Program) has been selected by DIP Switches 2, 3, 4.
- Check that all wire connections in the system are correct and tight.

## SECTION 7 | Troubleshooting

- Disconnect the PV array and momentarily disconnect the lead from the Battery Positive terminal BAT+. Reconnect the battery terminal and leave the PV array disconnected. The Green charging light should not be lit. Measure the voltage at the PV array terminals PV+ and PV- (with the array still disconnected). If the Battery Voltage is measured at the PV array terminals PV+ and PV- , the controller may be damaged.
- Disconnect the PV array. The Status LED will continue to blink Green and the Battery Voltage will continue to be displayed.
- Check the Open Circuit Voltage of the PV array. It should match the specs for the array and should be less than 50V.
- With the PV array disconnected, there should be no voltage reading on the PV+ and PV- terminals. If voltage on the PV+ and PV- terminals reads almost equal to the Battery Voltage, the controller is defective.

## SECTION 8 | Specifications

<b>MODEL NO. SCC-30AB</b>	
<b>INPUT</b>	
MAX. OPEN CIRCUIT VOLTAGE ( $V_{oc}$ ) OF SOLAR PANEL / ARRAY	50V
MAX. SHORT CIRCUIT CURRENT ( $I_{sc}$ ) OF SOLAR PANEL / ARRAY	30A
TOTAL SELF CONSUMPTION CURRENT	50 mA
<b>OUTPUT / CHARGING</b>	
TYPE OF CONTROLLER	Series, Pulse Width Modulation (PWM)
NOMINAL BATTERY SYSTEM VOLTAGE	12V / 24V (Switch selectable)
MIN. BATTERY VOLTAGE TO START MICRO-CONTROLLER, ACTIVATE PROTECTIONS AND GUIDE OPERATION	9 VDC for 12V Battery 18 VDC for 24V Battery
BATTERY TYPES	Lead Acid: Flooded/AGM/Gel Cell; Lithium
CHARGING ALGORITHM	4 Stage: Bulk, Absorption, Float, Equalization
CHARGING PROGRAMS	8 Programs (Switch selectable)
ABSORPTION VOLTAGE*	14.0V to 16.0V
FLOAT VOLTAGE*	13.4V / 14.5V
EQUALIZATION VOLTAGE*	14.2V to 15.3V - 1 to 3 hrs* - Manual or automatic after 28 days interval*
VOLTAGE REGULATION SET POINT ACCURACY	± 5mV
TEMPERATURE COMPENSATION	With Temperature Sensor - 30 mV / °C for 12V battery - 60 mV / °C for 24V battery - Compensation range: -20°C to 50°C
<b>DISPLAY</b>	
LCD DISPLAY	2 Lines x 16 Character, Alpha Numeric Backlit Display for operational parameters and fault messaging. 7 Selectable screens.
LED DISPLAY	For charging status and fault indication - Single, 3-Color Led
<b>PROTECTIONS</b>	
OVER CURRENT	Shut down at input current > 40A
OVER TEMPERATURE OF HEAT SINK (FACE PLATE)	Temperature > 90°C: Disconnect panel / array - Reconnect when cools down to 70°C
<b>ENVIRONMENTAL</b>	
OPERATING TEMPERATURE RANGE	-20°C to 50°C / -4°F to 112°F
STORAGE TEMPERATURE RANGE	-55°C to 85°C / -67°F to 185°F
HUMIDITY	95%, Non- condensing
<b>MECHANICAL</b>	
DIMENSIONS (W X D X H)	190 X 34 x 108 mm / 7.5 x 1.35 x 4.25 in
WEIGHT	0.4 kg / 0.8 lb
ENCLOSURE / FACE PLATE	Powder coated steel. For indoor use only
<b>COMPLIANCE</b>	
EMI / EMC	FCC Part 15(B), Class A
<b>ACCESSORIES INCLUDED</b>	
TEMPERATURE SENSOR	30AB-TS, 33 ft (10 m)
INSULATED SPADE LUGS FOR INPUT / OUTPUT WIRING CONNECTIONS	4 Pieces for #8 Stud for AWG #12-10 Wire 4 Pieces for #8 Stud for AWG #8 Wire
SELF TAPPING SCREWS FOR FIXING FACE PLATE	7 x 19, 5/8"; Type 25 Point; Flat Head; Philips

**\* BASED ON SELECTED PROGRAM - SEE TABLE 6.3, PAGE 46**  
Specifications subject to change without notice.

## **SECTION 9 | Warranty**

### **5 YEAR LIMITED WARRANTY**

SCC-30AB manufactured by Samlex America Inc. (the “Warrantor”) is warranted to be free from defects in workmanship and materials under normal use and service. The warranty period is 5 years for the United States and Canada, and is in effect from the date of purchase by the user (the “Purchaser”).

Warranty outside of the United States and Canada is limited to 6 months. For a warranty claim, the Purchaser should contact the place of purchase to obtain a Return Authorization Number.

The defective part or unit should be returned at the Purchaser’s expense to the authorized location. A written statement describing the nature of the defect, the date of purchase, the place of purchase, and the Purchaser’s name, address and telephone number should also be included.

If upon the Warrantor’s examination, the defect proves to be the result of defective material or workmanship, the equipment will be repaired or replaced at the Warrantor’s option without charge, and returned to the Purchaser at the Warrantor’s expense. (Contiguous US and Canada only)

No refund of the purchase price will be granted to the Purchaser, unless the Warrantor is unable to remedy the defect after having a reasonable number of opportunities to do so. Warranty service shall be performed only by the Warrantor. Any attempt to remedy the defect by anyone other than the Warrantor shall render this warranty void. There shall be no warranty for defects or damages caused by faulty installation or hook-up, abuse or misuse of the equipment including exposure to excessive heat, salt or fresh water spray, or water immersion.

No other express warranty is hereby given and there are no warranties which extend beyond those described herein. This warranty is expressly in lieu of any other expressed or implied warranties, including any implied warranty of merchantability, fitness for the ordinary purposes for which such goods are used, or fitness for a particular purpose, or any other obligations on the part of the Warrantor or its employees and representatives.

There shall be no responsibility or liability whatsoever on the part of the Warrantor or its employees and representatives for injury to any persons, or damage to person or persons, or damage to property, or loss of income or profit, or any other consequential or resulting damage which may be claimed to have been incurred through the use or sale of the equipment, including any possible failure of malfunction of the equipment, or part thereof. The Warrantor assumes no liability for incidental or consequential damages of any kind.

**Samlex America Inc. (the “Warrantor”)**

**[www.samlexamerica.com](http://www.samlexamerica.com)**

## Contact Information

Toll Free Numbers

Ph: 1 800 561 5885

Fax: 1 888 814 5210

Local Numbers

Ph: 604 525 3836

Fax: 604 525 5221

Website

[www.samlexamerica.com](http://www.samlexamerica.com)

USA Shipping Warehouses

Kent, WA

Plymouth, MI

Canadian Shipping Warehouse

Richmond, BC

Email purchase orders to  
[orders@samlexamerica.com](mailto:orders@samlexamerica.com)



**samlex**america®





# SamlexSolar®

**Contrôleur  
de Charge  
Solaire de  
30 Ampère**

**SCC-30AB**

Guide  
d'Utilisation

Veillez lire ce  
guide avant de  
faire fonctionner  
votre Contrôleur  
de Charge.

# OWNER'S MANUAL | Index

<b>SECTION 1</b>	
Les Consignes de Sécurité.....	3
<b>SECTION 2</b>	
Une Description Générale du Système Solaire .....	5
<b>SECTION 3</b>	
L'Information Générale – Les Batteries .....	9
<b>SECTION 4</b>	
Les Principes de Fonctionnement & Les Caractéristiques ....	21
<b>SECTION 5</b>	
La Construction, la Disposition et les Commandes .....	38
<b>SECTION 6</b>	
L'Installation et le Fonctionnement .....	44
<b>SECTION 7</b>	
Le Dépannage .....	54
<b>SECTION 8</b>	
Les Spécifications .....	58
<b>SECTION 9</b>	
La Garantie .....	59

## **Exclusion de responsabilité**

SAUF ACCORD ÉCRIT, SAMLEX AMERICA INC. :

1. N'OFFRE AUCUNE GARANTIE QUANT À L'EXACTITUDE, L'EXHAUSTIVITÉ OU LA PERTINENCE DE TOUTE TECHNIQUE OU D'AUTRES INFORMATIONS FOURNIES DANS SES MANUELS OU D'AUTRES DOCUMENTS.
2. N'ASSUME AUCUNE RESPONSABILITÉ OU RESPONSABILITÉ POUR LES PERTES, DOMMAGES, COÛTS OU DÉPENSES, QU'IL S'AGISSE DE PARTICULIERS, DIRECTS, INDIRECTS, CONSÉCUTIFS OU ACCESSOIRES, QUI POURRAIENT DÉCOULER DE L'UTILISATION DE TELLES INFORMATIONS. L'UTILISATION DE CES RENSEIGNEMENTS SERONT ENTIÈREMENT À L'UTILISATEURS RISQUE.

Samlex Amérique se réserve le droit de réviser ce document et à procéder périodiquement à apporter des modifications au contenu sans obligation ou organisation de telles révisions ou modifications.

## **Avis de droit d'auteur/Mention de réserve du droit d'auteur**

Copyright © 2022 par Samlex America Inc. Tous droits réservés. L'autorisation de copier, distribuer et/ou modifier ce document est interdite sans l'autorisation expresse et écrite de Samlex America Inc.

# SECTION 1 | Les Consignes de Sécurité

*Veillez lire ces instructions avant d'installer ou faire fonctionner le Contrôleur de Charge afin de prévenir toutes blessures corporelles ou dommages au Contrôleur de Charge.*

## La Conformité de l'Installation et du câblage

- L'installation et le câblage doivent être conformes aux codes locaux et au National Electric Code (NEC); et doivent être effectués par un(e) électricien(ne) diplômé(e).

## La prévention des décharges électriques

- Le conducteur de système Négatif doit être correctement mis à la terre. La mise à la terre doit être conforme aux codes locaux.
- Un désassemblage ou une réparation doit être fait uniquement par un(e) électricien(ne) qualifié(e).
- Déconnectez tous raccordements latéraux d'entrée et de sortie avant de travailler sur les circuits associés au Contrôleur de charge. Mettre l'interrupteur Marche/Arrêt du Contrôleur de Charge dans la position Arrêt ne supprime pas entièrement les tensions électriques dangereuses.
- Faites attention lorsque vous touchez les bornes nus des condensateurs. Les condensateurs peuvent retenir des hautes tensions mortelles même après que l'appareil soit éteint. Déchargez les condensateurs avant de travailler sur les circuits électriques.

## L'environnement d'installation

- Le Contrôleur de Charge doit être installé à l'intérieur dans un endroit bien ventilé, frais et sec.
- Ne l'exposer pas à l'humidité, la pluie, la neige ou aux autres liquides

## Prévention des risques d'incendie et d'explosion

- L'utilisation d'un Contrôleur de Charge pourrait provoquer des étincelles ou arcs électriques. Donc, le Contrôleur de Charge ne doit pas être utilisé dans un lieu contenant des matériaux ou gaz inflammables nécessitant des équipements ignifuges. Ainsi, ces lieux devrait pas contenir des machines alimentées par essence, des réservoirs à carburant et/ou des compartiments à batterie.

## SECTION 1 | Les Consignes de Sécurité

### Précautions à prendre en utilisant des batteries

- Les batteries contiennent de l'acide sulfurique, électrolyte très corrosif. Faites attention d'éviter tout contact avec la peau, les yeux et les vêtements.
- Les batteries produisent de l'hydrogène et de l'oxygène lorsqu'elles sont rechargées, provoquant un mélange de gaz explosif. Ventilez à fond la zone de la batterie et, suivez les recommandations du fabricant concernant l'utilisation de la batterie.
- Ne jamais fumer, ni mettre une flamme à proximité des batteries.
- Soyez prudent et réduisez les risques de chute d'objet métallique sur la batterie car ça pourrait: provoquer des étincelles, ou court-circuiter la batterie / les autres parties électriques, et causer une explosion.
- Lorsque vous travaillez avec les batteries, enlevez tous vos objets contenant du métal; par exemple des bagues, bracelets et/ou montres, etc. Les batteries pourraient produire un courant de court-circuit suffisamment puissant pour souder le métal engendrant une brûlure grave.
- Si vous devez enlever une batterie, retirez toujours la borne Négative (mise à la terre) de la batterie en premier. Assurez que tous les accessoires soient éteints, pour ne pas provoquer des étincelles.

### À propos le Contrôleur de Charge

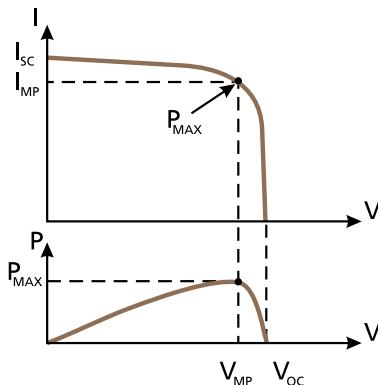
- Veuillez assurer que la Tension d'entrée fournie au Contrôleur de Charge ne dépasse pas 50 VCC afin d'empêcher tous dégâts permanents au Contrôleur de Charge. Assurez que la Tension en Circuit Ouvert maximale ( $V_{co}$ ) du Panneau/Générateur Solaire de 12V soit inférieure à 50V. Si deux Panneaux Solaires nominaux de 12V sont utilisés en série pour obtenir un générateur de 24V, assurez que la Tension de Circuit Ouvert maximale de chaque panneau soit inférieure à 25V.
- Le courant nominal maximal ne devrait pas dépasser 30A.
- La Tension de Batterie (nominale) ne devrait pas dépasser 24V. N'utiliser pas une batterie avec une tension moins que 12V.
- Ne chargez que des batteries au plomb de 12 ou 24 V (nominal) ou des batteries au lithium conçues pour le remplacement de la chute de plomb-acide. Les paramètres de charge (Dip Switch) doivent être définis conformément aux recommandations du fabricant de la batterie.
- Le Contrôleur doit être à l'abri de la lumière du soleil. Assurez que la plaque frontale du Contrôleur est bien dégagée pour faciliter la ventilation.

## SECTION 1 | Les Consignes de Sécurité

- Ne pas installer dans un compartiment scellé contenant des batteries.
- Ne jamais connecter le générateur solaire au contrôleur lorsque la batterie est déconnectée; ça pourrait provoquer une forte tension en circuit ouvert aux bornes, qui est assez dangereux
- Utilisez uniquement des fils en cuivre avec un régime d'isolation minimale de 75°C, et d'un calibre américain de fils entre 10 AWG (5,2 mm<sup>2</sup>) et 14 AWG (2,1 mm<sup>2</sup>).
- Le conducteur Négatif du système doit être correctement mis à la terre. La mise à terre doit être conforme aux codes électriques locaux.

## SECTION 2 | Une Description Générale Du Système Solaire

**Courbes de Courant (I), Tension (V) et Puissance (P) du Panneau , et comment le Panneau Solaire est classifié -  $V_{co}$ ,  $V_{pm}$ ,  $I_{cc}$ ,  $I_{pm}$ ,  $P_{max}$**



La Fig. 2.1. Courbes de Courant (I), Tension (V) et Puissance(P)

## SECTION 2 | Une Description Générale Du Système Solaire

Une courbe de Courant (I) versus la Tension (V) d'un Panneau Solaire (la Courbe « I-V ») montre les combinaisons possibles de sorties de courant et de Tension. Une courbe I-V typique pour un Panneau de 12V est montré à la Fig. 2.1.

La puissance dans un circuit électrique CC est le produit de la Tension et le courant. Mathématiquement :

- Puissance (P) en Watts (W) = Le Courant (I) en Ampères (A) X la Tension (V) en Volts (V) i.e.  $W = V \times A$

Un Panneau Solaire produit le maximum de courant quand il n'y a pas de résistance dans le circuit, i.e. quand il y a un court-circuit entre les bornes Positive et Négative. Le courant maximal est appelé le Courant de Court Circuit (I<sub>cc</sub>). Quand le panneau est court-circuité, la tension dans le circuit est à zéro.

Inversement, la Tension maximale existe quand le circuit est brisé. Ceci est appelé la Tension en Circuit Ouvert (V<sub>co</sub>). Avec cette condition, la résistance est infiniment haute et il n'y a pas de courant, parce que le circuit n'est pas complet. **La valeur typique de la Tension en Circuit Ouvert est à peu près 0,5 – 0,6V par cellule pour des Cellules Cristallines et 0,6 – 0,9V pour des Cellules Amorphes. Normalement, un panneau de 12V nominal se compose de 36 cellules en série et un panneau de 24V nominal se compose de 72 cellules en série. Donc, la Tension en Circuit Ouvert des panneaux à cellules cristallines serait la suivante :**

- Panneau de 12V: 36 cellules x (0,5 à 0,6V par cellule) = 18V à 21,6V

- Panneau de 24V: 72 cellules x (0,5 à 0,6V par cellule) = 36V à 43,2V

Ces deux résistances de charge extrêmes, et la plage de conditions entre ces derniers, sont indiquées sur la Courbe I-V, le courant, en Ampères, est sur l'axe Y vertical. La tension, en V, est sur l'axe X horizontal..

La puissance d'un dispositif PV qui est disponible à n'importe quel point sur la courbe est le produit de Courant (I) en Ampères et la Tension (V) à ce point, exprimé en Watts. Au point de court-circuit, il n'y a aucune puissance de sortie, car il n'y a pas de tension. Au point de courant de court circuit, il n'y a pas de puissance de sortie, mais cette fois-ci c'est parce qu'il n'y a pas de courant.

**Point de Puissance Maximal et Puissance Nominal du Panneau Solaire** Il y a un point sur la cassure de la courbe I-V quand la puissance de sortie maximale est

## SECTION 2 | Une Description Générale Du Système Solaire

obtenue, et ce point est appelé le Point de Puissance Maximale (PPM). La Tension et le Courant à ce point sont appelées  $V_{pm}$  et  $I_{pm}$  (respectivement).

Les valeurs de  $V_{pm}$  et  $I_{pm}$  sont estimées du  $V_{oc}$  et  $I_{cc}$  comme le suivant :

$$V_{pm} \approx (0,75 - 0,9) V_{oc}$$

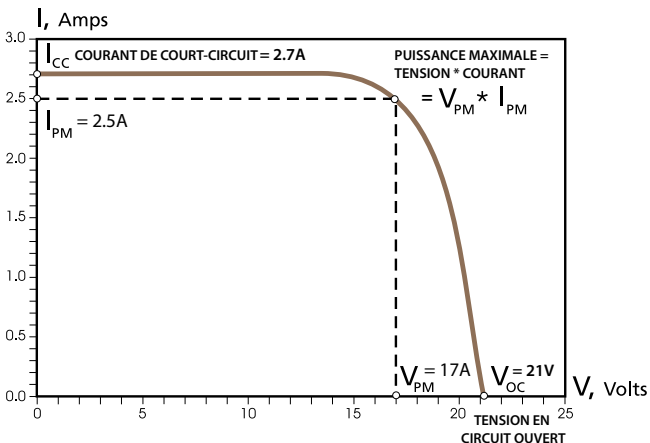
$$I_{pm} \approx (0,85 - 0,95) I_{sc}$$

La puissance maximale du Panneau Solaire en Watts (Pmax) provient des valeurs de tension

$V_{pm}$  et de courant  $I_{pm}$  ci-dessus au Point de Puissance Maximal (PPM):

- Puissance Maximal en Watts,  $P_{max} = V_{pm} \times I_{pm}$

### Un exemple d'une Courbe I-V et les classifications d'un Panneau Solaire de 12V



La Fig. 2.2. Un exemple d'une Courbe I-V et classifications d'un Panneau Solaire de 12V PV

## SECTION 2 | Une Description Générale Du Système Solaire

Une Courbe I-V pour un Panneau Solaire typique de 12V est montrée à la Fig. 2.2. La Tension en Circuit Ouvert  $V_{oc}$  est de 21V et le Courant de Court Circuit  $I_{sc} = 2,7V$ .

Le Point de Puissance Maximale dans la courbe au-dessus est située ou  $V_{pm}$  est de 17V, et le courant  $I_{pm}$  est de 2,5A. Donc, la puissance maximale,  $P_{max}$  en watts, est égale à 17V fois 2,5A, ou 42,5 Watts.

### Conditions de Test Standards (CTS) pour les Spécifications du Panneau Solaire

La courbe I-V est utilisé pour comparer la performance du Panneau Solaire. La courbe est donc, généré basé sur des Conditions de Test Standards (CTS) de lumière solaire est d'une température de 25°C (et qu'il y aucun ombre sur le dispositif). Des conditions Standards sont présumées de fournir 1,000 Watts d'énergie solaire par mètre carré (1000 W/m<sup>2</sup> or 1 kW/m<sup>2</sup>). Ceci est appelé le pic de soleil. S'il y a moins que le pic de soleil le courant de sortie du dispositif PV serait réduit par une valeur proportionnelle. Par exemple, s'il seulement la moitié du pic de soleil fourni : (500 W/m<sup>2</sup>), la valeur du courant de sortie est approximativement coupée en deux.

### Les Facteurs Affectant la Tension et le Courant de sortie d'une Cellule Solaire

La quantité de courant électrique généré par l'excitation d'une Cellule Solaire à une température spécifique est affectée par lumière incidente en deux manières :

- l'intensité de la lumière incidente.
- Par la longueur d'onde des rayons incidentes.

Les matériaux utilisés dans les Cellules Solaires ont des réponses spectrales différentes à la lumière incidentes, et montre une sensibilité variable en toute déférence à l'absorption des photons aux longueurs d'onde spécifiques. Chaque matériel semi-conducteur aura un seuil de fréquence de radiation incidente ; en dessous du seuil, les électrons ne seront pas sujets à l'effet photovoltaïque. Au-dessus du seuil, l'énergie cinétique d'un photo-électron émis varie par rapport à la longueur d'onde de la radiation incidente, mais n'a aucune relation à l'intensité de lumière. Une augmentation de l'intensité de lumière va augmenter proportionnellement le taux d'émission de photo-électrons dans le matériel photovoltaïque. Dans les vraies applications, la lumière absorbée par la cellule solaire sera une combinaison



## SECTION 2 | Une Description Générale Du Système Solaire

de radiation solaire directe, et de lumière diffusée rebondi par les surfaces environnantes. Les cellules sont normalement couché avec un matériel anti-rélecteur pour absorber la maximum de radiation possible.

Le courant de sortie du Panneau Solaire peut être augmenté à cause d'un effet appelé "**l'Effet de Bord de Nuage**". Quand le soleil passe à travers un trou entre les nuages, les panneaux solaire vont recevoir la pleine lumière solaire directe et aussi la lumière reflète des nuages . Ils absorberont plus d'énergie en comparaison à un jour sans nuages. **Donc, un facteur de 1,25 fois le Courant de Court-circuit I<sub>CC</sub> est recommandée pour le calibrage de la capacité de courant du Contrôleur de charge.**

Le courant de sortie d'une Cellule Solaire a un Coefficient de Température Positive – le courant de sortie augmente quand la température augmente. Cependant, il est régligeable – moins que 0.1 % / °C du Courant de Court-Circuit I<sub>CC</sub>.

La Tension de Sortie de la Cellule Solaire un Coefficient de Température Négative – La Tension de sortie augmente avec une diminution de la température. Par exemple, une Cellule à Silicone a un Coefficient de Température de – 2,3 mV / °C / Cellule. Donc, pendant les jours froid d'hivers, la tension va augmenter. **Comme point de repère, la tension nominale du Contrôleur de Charge doit être calibré à 1,25 fois la Tension en Circuit Ouvert V<sub>CO</sub> de Panneau Solaire pour assurer que le Contrôleur de Charge n'est pas endommagé à cause d'une surtension.**

## SECTION 3 | L'information Générale: Les Batteries

### Types de Batterie

Ce contrôleur de charge convient pour prendre en charge les technologies de batterie suivantes.

#### **Batteries au Plomb-Acide Sans Entretien ou Régulé par Valve (VRLA)**

Les batteries au plomb-acide sans entretien ou réglée par valve (VRLA) sont soit à cellules gelée ou AGM (« matelas en verre absorbante »). Dans une batterie à Cellule Gelée, l'électrolyte est une dans une forme de gel. Dans la batterie AGM, l'électrolyte est imprégner dans un matelas en verre. Dans les deux types, l'électrolyte est immobile. Il y a pas de capuchons de remplissage est la batterie

## SECTION 3 | L'information Générale: Les Batteries

est complètement étanche. L'Hydrogène et l'Oxygène libérés pendant le rechargement peuvent pas s'échapper et sont recombinaison dans la batterie. Donc, il y a aucune perte d'eau et les batteries n'exigent pas d'entretien. Ces batteries ont des valves de sécurité sur chaque cellule pour libérer la pression excessive qui pourrait accumuler dans la cellule. La Cellule Gelée est la moins affectée par des extrêmes de température, le stockage à un état faible de charge et a un faible taux d'auto-consommation. La batterie AGM peut tolérer mieux un sur-chargement mieux que la batterie à Cellule Gelées.

### **Batteries au Plomb-Acide Non-Étanche (à Cellules Ventilées / Inondées / Mouillées)**

Dans une batterie non-étanche à cellules ventilées / inondées / mouillées, chaque compartiment de cellule individuel a un capuchon de remplissage utilisé pour remplir la cellule avec l'eau distillée et pour mesurer la densité de l'électrolyte en utilisant un hydromètre. Quand pleinement chargée, la cellule a une tension approximative de 2,105V et l'électrolyte une densité de 1,265. Pendant le déchargement, la tension et la densité baisse. Donc, une batterie de 12v nominale saine et pleinement chargée avec 6 cellules pleinement chargée à 2,105V aura une Tensions Constante de 12,63V à 25°C / 77°F. En plus, dans une batterie saine, toutes les cellules individuelles auront une tension et densité pareille. ***S'il y a une différence importante dans les tensions (0,2V ou plus) et les densités des cellules individuelles, les cellules exigeront une égalisation.***

### **Batteries d'automobile**

Batteries SLI utilisées pour le démarrage, l'éclairage, l'allumage et l'alimentation des accessoires automobiles. Ces batteries sont conçus pour produire une haute puissance en éclats courts pour le brassage. Les batteries d'automobile utilisent des plaques minces pour maximiser la surface pour fournir des grands éclat de courant (spécifié comme Ampère de Brassage). Ceci permet un courant de démarrage élevée mais va déformer les plaques quand la batterie est cyclisée. Le démarrage d'un véhicule fait déchargée 1%-3% de la capacité d'une batterie d'automobile saine. ***Elle n'est pas conçu pour des déchargement profonds répétés (déchargé jusqu'à 80% de la capacité et puis rechargé). Si une batterie d'automobile est utilisée dans cette manière, la durée de vie serait réduite.***

***Ce type de batterie n'est pas recommandé pour le stockage d'énergie pour les dispositifs alimenté par CC comme l'éclairage, des radios, des onduleurs, etc. Néanmoins, elles sont recommandées pour une génératrice de réserve.***

## **SECTION 3 | L'information Générale: Les Batteries**

### **Batteries au Plomb-Acide à Cycle Profond**

Les batteries au plomb acide à cycle profond sont conçues avec des électrodes à plaques épaisses qui servent comme source primaire de puissance ; elles ont un taux de décharge constant, peuvent être profondément déchargées jusqu'à 80% de la capacité et puis rechargées répétitivement. Elles sont vendues pour l'utilisation dans les VRs, bateaux, et voiturettes de golfs – alors il peuvent être appelés des batteries de VR, marines ou de voiturette de golf.

### **Batterie au lithium**

Les batteries au lithium conçues pour le remplacement au plomb-acide sont prises en charge par ce contrôleur de charge dans une configuration nominale de 12 V ou 24 V. Assurez-vous que les tensions de charge recommandées par le fabricant sont configurées en conséquence sur le commutateur DIP du contrôleur de charge. La compensation de température et l'égalisation ne doivent pas être utilisées avec les batteries au lithium.

### **Les Unités de Capacité de Batterie – Ampère-Heures (Ah) et Puissance de Réserve (PR)**

La capacité de batterie est une mesure d'énergie électrique que la batterie puisse stocker et délivrer à la charge. Elle est déterminée par la quantité de courant que la batterie puisse délivrer dans une période de temps stipulée. La classification d'énergie est exprimée en Ampère-Heures (Ah). Normalement, la capacité Ah est classifiée à un taux de décharge de 20 Heures i.e., les Ampères de courant que la batterie puisse délivrer pendant 20 Heures à 80°F (26,7°C). À ce point, la tension baisse à 10,5V pour une batterie de 12V et 21V pour une batterie de 24V. Par exemple, une batterie de 100 Ah va délivrer 5 Ampères par Heure pendant 20 Heures.

La capacité de batterie est exprimée aussi comme Puissance de Réserve (PR) en minutes. La puissance de réserve est la durée en minutes qu'une batterie puisse délivrer 25 Ampères à 80°F (26,7°C) avant que la tension baisse à 10,5V pour une batterie de 12V et 21V pour une batterie de 24V. La relation approximative entre les deux unités est la suivantes :

**La Capacité en Ah = La Puissance de Réserve en minutes PR x 0,6**

## SECTION 3 | L'information Générale: Les Batteries

### Les Tailles de Batterie Typiques

Le Tableau ci-dessous montre les spécification de quelques batteries populaires:

GRUPE BCI*	TENSION DE BATTERIE, V	CAPACITE DE BATTERIE , Ah
27 / 31	12	105
4 D	12	160
8D	12	225
GC2**	6	220

\* Conseil de Batterie Internationale \*\* Voiturette de Golf

*Le Tableau 3.1. Tailles de Batterie Populaires*

### Réduction dans la Capacité Utilisable à des Taux de Décharge plus Élevés

Comme expliqué dessus, la capacité nominale de la batterie en Ah est normalement applicable à un taux de décharge de 20 Heures. Dès que le taux de décharge est augmenté, la capacité utilisable est réduites due à un « Effet Peukert ». Cette relation n'est pas linéaire mais elle suit plutôt le Tableau ci-dessous :

HEURES DE DÉCHARGE	TAUX DE DÉCHARGE	TAUX DE DÉCHARGE POUR LA BATTERIE DE 100 Ah	CAPACITÉ UTILISABLE
20 HRS.	C/20 A	5A	100 %
10 HRS.	C/10 A	10A	87 %
8 HRS.	C/8 A	12,5A	83 %
6 HRS.	C/6 A	16,7A	75 %
5 HRS.	C/5 A	20A	70 %
3 HRS.	C/3 A	33,3A	60 %
2 HRS.	C/2 A	50A	50 %
1 HRS.	C A	100A	40 %

*Le Tableau 3.2. La Capacité de Batterie versus le Taux de Décharge*

## SECTION 3 | L'information Générale: Les Batteries

En regardant ce Tableau, vous verrez qu'une batterie de 100 Ah va délivrer 100% (i.e. Tous les 100 Ah) de sa capacité si elle est déchargé lentement au cours de 20 heures à un taux de C/20 A ou 5A . Cependant, si elle est déchargée au cours de 2 Hrs. (C/2A ou 50A) en principe, elle doit fournir  $100 \text{ Ah} \div 50A = 2 \text{ Heures}$ . Pourtant, le Tableau ci-dessus montre pour un taux de décharge de 2 Heures (C/2A ou 50A), la capacité est réduit à 50% (i.e. 50 Ah). Donc, à un taux de décharge de 50 Amperes la batterie va fonctionner pendant  $50 \text{ Ah} \div 50A = 1 \text{ Heure}$ .

### État de Charge (EDC) de la Batterie

La Tension à vide de la batterie peut indiquer approximativement l'État de Charge (EDC) de la batterie. La Tension Stationnaire est mesurée après avoir déconnecté tout dispositif de chargement et toutes charges de batterie , et d'avoir laissée la batterie se reposé pendant 3 à 8 heures. Le tableau 3.3 montre l'état de charge par rapport à la tension permanente pour un système de batterie au plomb de 12 V (6 éléments en série) à environ 80 ° F (26,7 ° C). Pour un système de 24-volt, multipliez par 2 (12 cellules en série); un système de 48-volt, multipliez par 4 (24 cellules en série).

POURCENTAGE DE PLEINE CHARGE	TENSION À VIDE D'UNE BATTERIE DE 12V	TENSION DE CELLULES BATTERIE DE 12V A 6 CELLULES EN SÉRIE
100%	12,63V	2,105V
90%	12,6V	2,10V
80%	12,5V	2,08V
70%	12,3V	2,05V
60%	12,2V	2,03V
50%	12,1V	2,02V
40%	12,0V	2,00V
30%	11,8V	1,97V
20%	11,7V	1,95V
10%	11,6V	1,93V

*Le Tableau 3.3. L'État de Charge versus la Tension « Stationnaire » – Batterie de 12V*

Vérifiez les tensions des cellules individuelles/ la gravité spécifique. Si la tension entre les cellules est écartée par plus que 0,2V, il va falloir égaliser les cellules. **Veillez noter que seulement des batteries à cellules inondées/ ventilées/non-étachiesé/ mouillées pourraient être égaliser. Égalisez pas les batteries sans entretien/AGM ou à cellules gelées (sauf si permis par le fabricant).**

## SECTION 3 | L'information Générale: Les Batteries

### Rendement de la Batterie

Une batterie au plomb-acide a un rendement de 75% - 85%. L'énergie perdue se transforme en chaleur et réchauffe la batterie. Cela veut dire qu'il faut avoir 120% à 130% plus d'énergie Ampère-Heure (Ah) que la classification Ah de la batterie afin d'être de charger entièrement la batterie.

### Profondeur de Décharge et la Durée de Vie de la Batterie

Plus une batterie est déchargée à chaque cycle, plus la durée de vie de la batterie est courte. Utilisant plus de batteries que le minimum exigé va allonger la vie de la banque de batterie. La durée de vie typique est donné dans le Tableau ci-dessous :

PROFONDEUR DE DECHARGE % DE CAPACITE Ah	VIE DE GROUPE 27 / 31	VIE DE GROUPE 8D	VIE DE GROUPE GC2
10	1000	1500	3800
50	320	480	1100
80	200	300	675
100	150	225	550

Il est recommandé de limiter la profondeur de décharge à 50%.

Tableau 3.4. Diagramme de cycle de vie typique

### Effet de la température sur les batteries au plomb

Les caractéristiques de charge de la batterie varient avec la température. Ceci est presque linéaire et le coefficient de tension de changement de température est normalement compris entre -3 mV et -5 mV / °C / cellule. La tension de charge doit être réduite et à mesure que la température diminue, la tension de charge doit être augmentée.

Tous les réglages de tension de chargement sont spécifiés à 25°C / 77°F. Dans les systèmes solaire, les températures de batterie varient souvent jusqu'à 15°C de la référence de 25°C. Les Tensions d'Absorption, de maintien et d'Égalisation devront être ajusté, ou il faut utilisé un contrôleur avec une Sonde Thermique. Le Tableau ci-dessous montre des exemples de comment la tension est ajusté pour la

## SECTION 3 | L'information Générale: Les Batteries

Tension d'Absorption Voltage de 14,4V pour une batterie par exemple. (basé le Changement du Coefficient de Tension de la Température de -5 mV / °C / Cellule ou -30mV (.03V) pour une batterie à 6 cellules, de 12V).

TEMPERATURE DE BATTERIE	TENSION D'ABSORPTION (BATTERIE DE 12V)
40°C	13.95V
25°C (Référence)	14.4V (Référence)
10°C	14.85V

Tableau 3.5. Tension d'absorption en fonction de la température (exemple)

Si la compensation de température n'est pas fournie, la batterie plus chaude à 40°C va commencer à chauffer et à dégazer à 13,95V et va continuer à surcharger jusqu'à ce que le réglage de la Tension d'Absorption non-compensée est atteint (14,4V). Dans les températures plus froide, la batterie de 10°C va être sous-charger, et éventuellement va subir à la sulfatation.

***Il est recommandé que chargeur de batterie / contrôleur de charge avec une fonctionne pour détecter et compenser la température si l'électrolyte de batterie varie par plus que 5°C à 10°C (9°F à 18°F).***

### Perte de la Capacité de Batterie à des Faibles Températures

Les batteries perdent leur capacité à des faibles températures. À 32°F (0°C), une batterie va délivrer environ 70 to 80% de sa capacité minimale à 80°F (26,7°C). Si la température d'électrolyte de la banque de batterie est moins que 80°F (26,7°C), des batteries additionnelles seront nécessaire pour fournir la même capacité utilisable. Pour des climats vraiment froid, un compartiment de batterie isolée/ chauffée est recommandé.

### La Congélation d'électrolyte

Pour des applications à faible température ambiant, la batterie au plomb acide devrait être protégée de la congélation d'électrolyte. Le risque de congélation dépend de l'état de charge. La figure ci-dessous illustre la limite de congélation comme fonctionne de l'état de charge.

## SECTION 3 | L'information Générale: Les Batteries

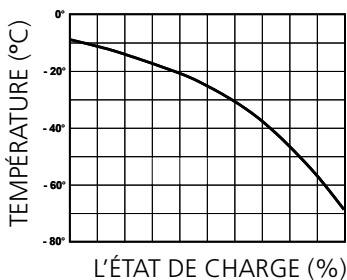
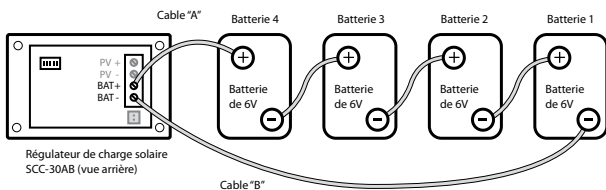


Fig 3.1. Température vs état de charge

### La Connexion en Série et en Parallèle des Batteries

#### La Connexion en Série



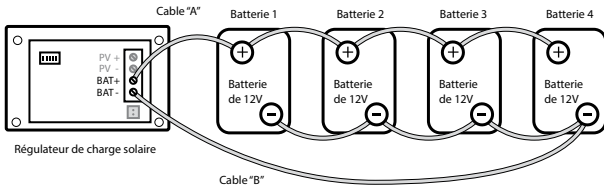
La Fig. 3.2. La Connexion en Série

Lorsque deux ou plusieurs batteries sont liées en série, les tensions additionnent, mais la capacité Ah reste pareille. La Fig. 3.2 ci-dessus illustre 4 batteries de 6V, 200 Ah liées en série pour former une banque de batteries de 24V avec une capacité de 200 AH. La borne Positive de la Batterie 4 devient la borne Positive de la banque de 24V. La borne Négative de la Batterie 4 est reliée à la borne Positive de la Batterie 3. La borne Négative de la Batterie 3 est reliée à la borne Positive de la Batterie 2. La borne Négative de la Batterie 2 est reliée à la borne Positive de la Batterie 1. La borne Négative de la Batterie 1 devient la borne Négative de la banque de 24V.



## SECTION 3 | L'information Générale: Les Batteries

### La Connexion en Parallèle



La Fig. 3.3. La Connexion en Parallèle

Lorsque deux ou plusieurs batteries sont liées en parallèle, la tension reste pareille, mais les capacités additionnent. La Fig. 3.3 ci-dessus illustre 4 batteries de 12V, 100 Ah liées en parallèle pour former une banque de batteries de 12V avec une capacité de 400 Ah. Les quatre bornes Positives des Batteries 1 à 4 sont liées en parallèle (reliées entre elles) et ce lien Positif commun devient la borne Positive de la banque de batteries de 12V. De la même façon, les quatre bornes Négatives des Batteries 1 à 4 sont liées en parallèle (reliées entre elles) et ce lien Négatif commun devient la borne Négative de la banque de batteries de 12V.

### La Connexion en Série – Parallèle

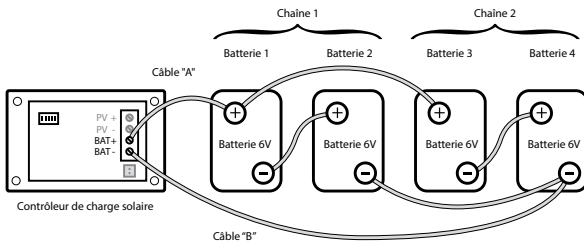


Fig. 3.4. Series-Parallel Connection

La Fig. 3.4 ci-dessus montre une connexion en série - parallèle composée de quatre batteries de 6V, 200 Ah pour former une banque de batteries de 12V, 400 Ah. Deux batteries de 6V, 200 Ah, les Batteries 1 et 2 sont liées en série pour former une batterie de 12V, 200 Ah (La Chaîne 1). Semblablement, deux batteries

## SECTION 3 | L'information Générale: Les Batteries

de 6V, 200 Ah, les Batteries 3 et 4 sont liées en séries pour former une batterie de batteries de 12V, 200 Ah (La Chaîne 2). Ces deux Chaînes de 12V, 200 AH, sont liées en parallèle pour former une banque de batteries de 12V, 400 AH.



### CAUTION!

Lorsque 2 ou plusieurs batteries / chaînes de batteries sont liées en parallèle et sont ensuite branchées au chargeur (Voir les Figs. 3.3 et 3.4), accordez de l'attention à la façon dont le chargeur est branché à la banque de batteries. Veuillez assurer que si le câble de sortie Positif du chargeur de batterie (le Câble « A ») est relié à la borne de batterie Positive de la première batterie (la Batterie 1 dans la Fig. 3.3) ou à la borne de batterie Positive de la première chaîne de batteries (la Batterie 1 de la Chaîne 1 dans la Fig. 3.4); le câble de sortie Négatif du Chargeur (le Câble « B ») doit être relié à la borne de batterie Négative de la dernière batterie (Batterie 4 comme montré à la Fig. 3.6) ou à la borne Négative de la dernière chaîne de batteries (Batterie 4 de la chaîne 2 comme montré à la Fig. 3.4). Ce branchement garantit le suivant :

- Les résistances des câbles d'interconnexion seront équilibrées.
- Toutes les batteries individuelles/chaînes de batteries généreront la même résistance en série.
- Toutes les batteries individuelles vont recharger au courant de charge pareil, donc elles arriveront au même état au moment pareil.
- Aucune batterie aura une condition surchargée.

Si le câble de sortie Positif du chargeur de batterie (le Câble « A ») est relié à la borne de batterie Positive de la première batterie (la Batterie 1 dans la Fig. 3.3), ou à la borne de batterie positive de la première chaîne de batteries (la Batterie 1 de la Chaîne 1 comme montré à la Fig. 3.4); et le câble de sortie Négatif du chargeur de batterie (le Câble « B ») est relié à la borne de batterie Négatif de la première batterie (la Batterie 1 dans la Fig. 3.3), ou à la borne Négative de la première chaîne de batteries (la Batterie 1 de la Chaîne de batteries 1 comme montré à la Fig. 3.4), les conditions anormales suivantes en résulteront :

## SECTION 3 | L'information Générale: Les Batteries

- Les résistances des câbles de connexion ne seront pas équilibrées.
- Les batteries individuelles auront des résistances en série différentes.
- Toutes les batteries individuelles seront rechargées aux courants de charge non-pareils, donc elles atteindront un état de charge complet à des moments différents.
- La batterie avec une plus faible résistance en série nécessitera moins de temps pour être complètement chargée par rapport à la batterie qui a une plus grande résistance en série, donc elle va subir des surcharges et sa durée de vie sera réduite.

### Choisir la Taille de la Banque de Batterie

La capacité de la banque de batterie en Ampère-Heures (Ah) est déterminé par la quantité d'énergie nécessaire pour faire marcher les charges CC et CA pendant la durée voulue en heures.

Par exemple, énergie de secours pourrait être requise pendant 4 heures. 1 jour (24 Heures), ou 3 jours (72 Heures). Dans cette connexion, la formule serait applicable:

<b>FORMULE 1</b>	Puissance CC en watts (W)	Volts CC (V) x courant CC (A)	
<b>FORMULE 2</b>	Puissance CA en watts (W)	Volts ca (V) x courant ca (A) x facteur de puissance (0,8 typique)	
<b>FORMULE 3</b>	Puissance CC évidé de la batterie par la charge CC alimenté directement par la batterie	Puissance cc de la charge en watts (W)	
<b>FORMULE 4</b>	Puissance CA évidé de la batterie par la charge CA alimenté par l'onduleur CC-CA	1,2 X puissance de la charge ca en watts (W) (assumer un rendement typique de l'onduleur = 84%)	
<b>FORMULE 5</b>	Consommation d'énergie par la batterie en watt-heure (Wh).	Puissance en watts (W) x temps en heures (h)	
<b>FORMULE 6</b>	Consommation d'énergie par la batterie en ampère heure (Ah)	Batterie de 12 v	Consommation d'énergie en watt-heure (Wh) ÷ 12
		Batterie de 24 v	Consommation d'énergie en watt-heure (Wh) ÷ 24

Tableau 3.6. Formules de dimensionnement des batteries

## SECTION 3 | L'information Générale: Les Batteries

**Déterminer la Consommation d'Énergie Totale de la Batterie** – Le premier étape est de déterminer la consommation d'énergie totale de la batterie en Ampère-Heures pour faire marcher les charges CA et CC pendant la durée voulue:

- a) Déterminez la puissance nominale en Watts (W) de chaque dispositif CA ou CC. Si n'est pas disponible, calculez-la en suivant les Formules 1 ou 2.
- b) Déterminer / calculer la puissance en watts évidé de la batterie in Watts (W) par les dispositifs CA et CC. Pour les dispositifs CC, ceci serait pareil que la puissance nominale CC (Formule 3). Pour les dispositifs CA alimentés par un onduleur CC à CA, utilisez la Formule 4 pour calculer la puissance en Watts (W) évidée de la batterie.
- c) Calculer la consommation d'énergie en Watt-Heures (Wh) pour chaque charge en suivant la Formule 5 basé sur la duration en heures que chaque charge sera en marche. Additionnez tout pour avoir l' énergie totale en Watt-Heures (Wh).
- d) Calculer la consommation d'énergie de batterie totale en Ampère-Heures (Ah) pour toutes les charges CC et CA combinées en suivant la Formule 6.

**Déterminer la Vraie Capacité Ah de la Banque de Batterie** – La vraie capacité Ah de la banque de batterie est déterminé par les considérations suivantes:

- e) Comme indiqué sous l'en-tête "Réduction de la Capacité Utilisable à des Taux de Décharges pus Élevés" à la page 12, la capacité Ah de la batterie est normalement spécifiée à un taux plus lent : C/20 A i.e. Taux de charge de 20 Heure. Néanmoins, pour les applications de secours, les batteries se déchargent à des taux plus élevées. Normalement, 3 Heures i.e. Taux de décharge de C/3 A est considéré pour cette application. Comme indique le Tableau 3.2 , la capacité utilisable capacité à un taux de décharge plus élevé serait réduit à 60%. La vraie capacité de la batterie aura besoin d'être augmenté par 1,66 fois.
- f) Pour une vie de batterie plus longue, la batterie ne devrait pas être déchargé profondément (Veuillez référer à l'en-tête "Profondeur de Décharge et la Durée de Vie de Batterie"). Normalement, le profondeur de la décharge devrait être limité à 80%. Donc, la vrai capacité doit être augmenté par 1,25 fois l'énergie de secours pour récompenser cette limitation.

## SECTION 3 | L'information Générale: Les Batteries

- g) La vraie capacité de batterie serait, donc, égale à  $1,66 \times 1,25 = 2,07$  fois ou environ 2 fois.
- h) Par exemple, si la consommation d'énergie de batterie totale est de 200 Ah, en suivant l'équation au-dessus, la capacité de la banque de batterie serait  $2 \times 200\text{Ah} = 400\text{Ah}$ .

### Exigences de Chargement de Batterie dans les Systèmes Solaires

Les batteries dans les Systèmes Solaire sont souvent sujettes à des conditions abusives qui sont généralement causer par :

- Le sous chargement pendant des heures de faible ensoleillement
- Le chargement excessif pendant des heures de fort ensoleillement
- Le contrôle de la charge n'est pas approprié ni efficace pour la technologie de batterie

Les effets individuels ou combinés grâce aux changements de l'ensoleillement, un contrôle de la charge inefficace et des changements quotidiens dans la charge peuvent potentiellement causer des dommages à la batterie. Des stratégies de contrôle de la charge moins coûteuses comme un simple système PV Allumé/Fermé (non-contrôlé par la MLI) procurera généralement suffisamment de courant de charge à la batterie pour remplir la phase de chargement Masse qui confèrera à la batterie 80% de son état de charge. Après la phase de chargement Masse, la phase de chargement Absorption est très importante pour la prévention de la stratification, de la sulfatation dure et de la perte prématurée de la capacité de la batterie.

## SECTION 4 | Principe de fonctionnement et caractéristiques

Le SCC-30AB est un Contrôleur de charge de type MLI (La Modulation de Largeur d'Impulsions). C'est un appareil d'une conception avancée utilisant un microcontrôleur pour avoir une précision numérique et utilisation entièrement automatique. Il est utilisé pour des systèmes de chargement solaires de 12V ou de 24V. Le chargement MLI a été optimisé pour allonger la vie de la batterie. L'unité est conçue pour permettre une grande facilité d'utilisation.

## **SECTION 4 | Principe de fonctionnement et caractéristiques**

### **Caractéristiques**

- Conception haute performance basée sur un microcontrôleur pour une précision numérique et un fonctionnement entièrement automatique et intelligent
- Choix entre deux tensions de système – À utilisé avec des systèmes solaires de 12V / 24V
- Capacité de chargement de 30A
- La conception de chargement en mode MLI (la Modulation de Largeur d'Impulsions) a une fréquence de 300Hz permettant de réduire la perte, rendre le chargement plus efficace et d'augmenter la durée de vie d'une batterie
- 4 étapes de chargement pour un retour à 100% de la capacité et une longue vie de batterie – chargement de Masse, d'Absorption, d'Entretien et d'Égalisation.
- Choix de 8 ensembles de réglages de tension d'absorption / flottement / égalisation pour permettre une charge complète et sûre d'une large gamme de batteries au plomb et au lithium
- Affichage ACL de 2 lignes et 16 caractères à retro éclairage pour un affichage de l'information et de données de fonctionnement. Indication supplémentaire DEL affichant les stades de chargement.
- Capteur de température de batterie à distance (BTS) modèle 30AB-TS pour la compensation de température pour assurer une charge améliorée des batteries qui subissent des variations de température plus importantes au cours de l'année
- Spécialement conçu pour les VRs, bateaux et camions – permet un montage mural facile et esthétique

### **Principes de Fonctionnement de Chargement Solaire avec la Modulation de Largeur D'Impulsions type Série**

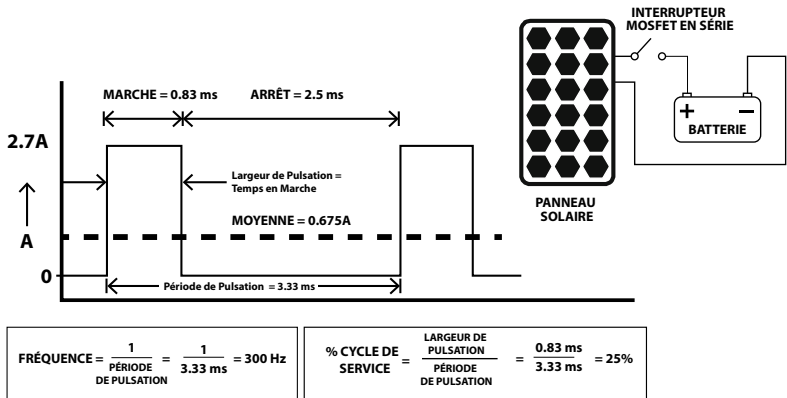
La conception et fonctionnement du SCC-30AB est basé sur la Modulation de Largeur d'Impulsions (MLI) type Série à une fréquence de 300 Hz.

## SECTION 4 | Principe de fonctionnement et caractéristiques

### Explication de la MLI

Afin de comprendre le fonctionnement du contrôleur, il est nécessaire de comprendre le concept de la MLI et le Cycle de Service (expliqué à l'aide de la Fig. 4.1. Cette explication est basé sur la MLI type Série.

La sortie du panneau solaire est connectée à la batterie en série avec un interrupteur. Le fonctionnement FERMÉ/ALLUMÉ contrôlé de l'interrupteur est utilisé pour contrôler le courant et la tension pour recharger la batterie.



La Fig. 4.1. Le contrôle MLI type Série- Fréquence MLI = 300 Hz

Un panneau solaire est une source de courant qui fait sortir un courant presque constant égal à son Courant de Court-circuit ( $I_{cc}$ ) sur large plage de tension (tant que la lumière incidente, température de cellule, et masse d'air restent constant). Par exemple, veuillez référer à la page 7 qui montre le courant versus la Courbe de Tension d'un panneau solaire de 12 V nominale, de 42,5W aux conditions de Test Standards (la Lumière solaire Incidente sunlight de 1000 W/m<sup>2</sup>, température de cellule de 25°C un masse d'Air de 1,5). Le Courant de Court Circuit ( $I_{SC}$ ) de 2,7A est presque constant sur la plage de tension de 0V jusqu'à environ 15V.

## SECTION 4 | Principe de fonctionnement et caractéristiques

Dans l'exemple montré dans la Fig. 4.1 au-dessus, l'interrupteur est alimenté avec un Courant de Court-Circuit constant de 2,7A du panneau de 42.5W. Deux pulsations de courant de sortie MLI de l'interrupteur à une fréquence de 300 Hz et un Cycle de Service de 25% sont montrées.

La MLI comprend des cycles répétitifs d'une durée contrôlée des états en Marche et Arrêt de l'interrupteur. La période de pulsation d'un cycle MLI de 300 Hz est la durée combinée de tous les états ALLUMÉ et FERMÉ de l'interrupteur qui dure 3,33ms. Le numéro de cycles de commutation par seconde est appelé la Fréquence MLI. Mathématiquement, la Fréquence =  $(1 \div \text{la Période de Pulsation « T »})$  et est de 300 Hz dans ce cas ( $1 \div 3,33 \text{ ms} = 300 \text{ Hz}$ ). La durée de l'état en MARCHÉ est appelé le « largeur de Pulsation ». Dans le contrôle MLI, la durée du largeur de pulsation varie (modulé) et est définie par le « Cycle de Service » qui est le ratio du « Temps en MARCHÉ » à la « Période de la Pulsation ». Le Cycle de Service est normalement spécifié comme %. Donc, un Cycle de Service de 0% veut dire que l'interrupteur est constamment FERMÉ (va faire sortie 0A) et un Cycle de Service de 100% veut dire que l'interrupteur est constamment ALLUMÉ (va faire sortie le plein Courant de Court-Circuit (Icc) i.e. 2,7A dans l'exemple au-dessus). Pour les Cycles de Service  $> 0\%$  et  $< 100\%$ , L'interrupteur va alterner entre les États ALLUMÉ et FERMÉ dans une manière contrôlé dans chaque cycle et va faire sortir un courant variable dedans la plage d'un peu plus grand que 0A jusqu'à un peu moins que le plein Courant de court-circuit (Icc) i.e. 2,7A dans l'exemple au-dessus.

Avec le contrôle MLI, l'interrupteur fait convertir le Courant de Court-circuit constant (Icc) situé à l'entrée, au courant moyen contrôlé situé à la sortie en réglant le Cycle de Service. La valeur moyenne de courant de sortie de l'interrupteur est égal à la valeur d'entrée constant du courant de court-circuit (Icc) multiplié par le Cycle de Service. La Fig 4.1 au-dessus montre un exemple d'un Courant de Court-circuit à entrée constante de 2,7A (Icc) est réduit par un moyen de 25% ou 0,675A par la commutation ALLUMÉ et FERMÉ du Courant de Court-circuit Constant de 2,7A constant à un Cycle de Service de 25%.

### Le Chargement MLI dans le SCC-30AB

Le chargement de Batterie est processus dépendant sur un courant. Un courant alimenter à la batterie va résulter dans un rechargement des les cellules, et en conséquent va faire augmenter la tension de batterie. La régulation du courant



## SECTION 4 | Principe de fonctionnement et caractéristiques

va régler la tension de batterie. Pour le retour d'une capacité de 100%, et afin de prévenir la gazéification et la sulfatation excessive, la tension de chargement de la batterie exige le réglage aux points de réglage de tension spécifiées pour les Étapes de Chargement Absorption, Maintien et Égalisation pour les différents types de batterie. Une Batterie, donc, peut être chargée aux points de réglages de tension spécifiés par la MLI du courant de chargement à travers le cycle de service comme expliqué au-dessus. Le contrôleur surveille la tension de batterie et réactualise le Cycle de Service à un taux rapide. Le cycle de service est proportionnel à la différence entre la tension de batterie sensible et le point de réglage de tension. Quand le point de réglage de tension spécifique est atteint, il est maintenu constant – une augmentation dans la tension est récompensé en diminuant le courant moyen par la réduction de Cycle de Service, et dans le sens inverse, s'il y a une diminution, le courant moyen est réduit en diminuant le Cycle de Service. Le Cycle de Service et la tension de chargement se réactualise rapidement pour assurer que la batterie est chargée aux points de réglages de tensions spécifiés avec un minimum variabilité de +/- 50mV.

**La Fréquence MLI Optimale:** : La plage de la fréquence MLI est de 10 Hz jusqu'à environ 1000 Hz. Aux fréquences plus élevées, la durée de temps entre les cycles est moindre et suffit pas pour compléter les réactions électrochimiques. Aux fréquences plus basses, le temps de montée des pulsations de chargement sont plus basses qui va résulter dans une plus grande formation de boules de gaz qui va aussi réduire la surface active et va augmenter l'impédance interne. Dans le SCC-30AB, la fréquence de 300 Hz est utilisé pour une performance de chargement optimale.

### Algorithmes de Chargement

#### Remarques:

1. Pour bien comprendre l'algorithme de chargement, veuillez lire la Section 3 – Information Générale: Batteries.
2. Pour les raisons expliquées à la Fig. 4.2A / 4.2B, il est supposé qu'il n'y a pas de charge sur la batterie pendant la journée quand le chargement est en cours. Il y a une petite charge pour allumage au soir, qui est FERMÉ quand il fait jour.

## SECTION 4 | Principe de fonctionnement et caractéristiques

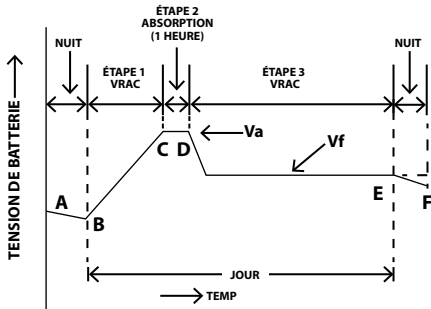


Fig.4.2A. Algorithme de charge normale

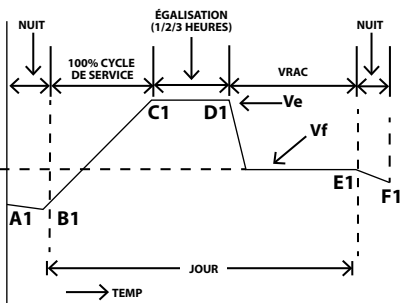


Fig 4.2B. Algorithme d'égalisation

Les deux algorithmes de chargement suivants sont utilisés pour assurer le retour de 100% de la capacité et aussi pour prévenir la gazéification excessive:

- Acide au plomb - Charge normale (Fig 4.2A):** Cet algorithme est utilisé pour le chargement normal de tous les jours. Le chargement est séquentiel: Étape 1: Étape de Masse (Un Cycle de Service de 100% qui est équivalent au Courant Constant) → Étape 2: Étape d'Absorption - charge à tension constante pendant 1 heure → Étape 3: Étape de Maintien (Très Faible Cycle de Service de 0% à < 10% qui est équivalent à la Tension Constante).
- Acide au plomb - Charge d'égalisation (Fig 4.2B):** Ceci est fait automatiquement tous les 28 jours ou à cause d'un démarrage manuel. Étape 1: Étape de Masse (Un Cycle de Service de 100% qui est équivalent au Courant Constant) → Étape 2: Étape d'égalisation - charge à tension constante à la tension d'égalisation → Étape 3: Étape de Maintien (Très Faible Cycle de Service de 0% à < 10% qui est équivalent à la Tension Constante).
- Chargement de la batterie au lithium (Fig 4.2A):** Cet algorithme est utilisé pour la charge quotidienne normale des batteries au lithium conçues pour les remplacements au plomb-acide. La charge est séquentielle: Étape 1: Étape de masse - Sortie de courant constant jusqu'à ce que la tension atteigne le point de consigne de tension d'absorption. Étape 2: Étape d'absorption - Charge à tension constante pendant 30 minutes. Étape 3: Étape flottante - Charge à tension constante.

## SECTION 4 | Principe de fonctionnement et caractéristiques

La transition d'une étape à l'autre serait contrôlée par les Points de Réglages de Tension Suivants :

- Point de Réglage de la Tension d'Absorption « Va »
- Point de Réglage de la Tension d'Égalisation « Vé »
- Point de Réglage de la Tension de Maintien « Vf »

### Algorithme de charge au plomb-acide normal

Veuillez référer à la Fig 4.2A

**Étape - 1: Étape de Masse.** Pendant la nuit, la tension de batterie va baisser en-dessous du point de réglage de tension de Maintien « Vf » (la portion de Courbe A à B), Car il n'y a pas de soleil et le déchargement se passe à cause des charges qui sont fait marché pendant la nuit p.e. L'éclairage nocturne.

Quand le soleil est disponible le matin, le chargement recommence à l'étape de Masse. Durant cet étape (la portion de Courbe B à C), l'interrupteur est gardé à Un Cycle de Service de 100% (Allumé continuellement) et donc, le courant maximal égal au courant de court-circuit disponible « Icc » du panneau est alimenté à la batterie et la tension de batterie va augmenter. Ceci est équivalent au Courant de Chargement Constant. Quand la tension atteint le point de réglage de Tension d'Absorption « Va » (le Point « C ») et est soutenu pour une période minimale d'environ 50 à 55 sec, le contrôleur transitions à l'Étape d'Absorption. À la fine de l'Étape de Masse, la batterie est chargé à environ 80% de la capacité. Le 20% de la capacité restant est restitué dan le prochain Étape d'Absorption.

Pendant cette étape, l'écran LCD 4 (Fig 5.3) à la page 42 affiche « State: Bulk ». L'écran 1 (La Fig 5.3) montre la vraie tension de borne de la batterie sous « BatV ». Cette tension serait moins que le point de réglage programmé.

**Étape - 2:étape d'Absorption.** Le contrôleur entre cet étape au point « C » de l'étape précédent l'étape de Masse quand la tension de batterie atteint le point de réglage de tension d'absorption « Va » et est soutenu pour une pour une période minimale d'environ 50 à 55 sec. Cet étape a une durée d' 1 Hr - soit continue ou cumulative (Portion de Courbe C à D).

## SECTION 4 | Principe de fonctionnement et caractéristiques

Dans cet étape, l'interrupteur fonction par le contrôle MLI en alimentant un courant de court-circuit pulsée « Icc » avec un Cycle de Service qui diminue constamment (< 100% et > 0%) / courant moyen pour garder la tension de batterie constante au Point de Réglage de Tension D'Absorption « Va » (Portion de Courbe C à D). Ceci est équivalent à la Tension de Chargement Constante. C'est une condition de surtension contrôlée intentionnelle pour la batterie pendant 1 Hr. Ceci est nécessaire pour retourner la 205 de la capacité restante. À cette tension, la batterie commence la gazéification (évolution de l'Hydrogène et l'Oxygène à cause de l'électrolyse de l'eau dans l'électrolyte) et donc, il est nécessaire de quitter cet étape aussi tôt que 100% de la capacité est rétabli. Si la surtension continue après que la capacité est complètement rétablie, la batterie serait endommagée à cause des effets de la surcharge comme une surchauffe, perte d'eau, la corrosion des plaque Positives et une accumulation de pression qui va résulter dans un versement d'acide grâce à l'ouverture des valves de surpression (batteries scellées). Le 20% de la capacité est rétabli à cet étape. Pendant que la capacité de batterie augment de 80% à 100%, le contrôle MLI réduit le courant en réduisant continuellement le Cycle de Service de < 100% à > 0%.

**Remarque: Un changement au point de réglage de tension de maintien « Vf » n'est possible tant que la tension de batterie est garder au point de réglage de tension « Va » pour une période continue ou cumulative d'une heure. Si « Va » peut être maintenu continuellement / cumulativement pour 1 Hr, la transition à l'étape de Maintien Ne passera PAS (Les périodes durant lesquelles la tension de batterie tombe en-dessous de « Va » ne compte pas envers la période d'une heure).**

Pendant Cet Étape, L'écran ACL 4 affiche « State: Absorption ». L' 5 écran ACL (La Fig 5.3) montre le point de réglage de tension d'absorption programmé (Affiché sur l'écran sous « Bulk »).

**Remarque: Pendant l'étape d'Absorption, si le courant de charge est plus grand qui le courant du panneau solaire, la tension de batterie va baisser. Si la tension de batterie baisse jusqu'à environ 1V en-dessous du point de réglage de tension d'absorption « Va » pour environ 1 min, le contrôleur retourne à l'étape de Masse. Le Cycle de Service MLI est changé à 100% et l'écran ACL 4 change à « State: Bulk ».**

## SECTION 4 | Principe de fonctionnement et caractéristiques

**Étape- 3: Étape de Maintien.** Le contrôleur entre cet étape de l'étape d'Absorption précédent au point « D » après que la tension de batterie est gardée au point de réglage de tension d'absorption « Va » pour une période continue ou cumulatif d'une Heure.

Pendant cet étape (Portion de Courbe « D » à « E »), l'interrupteur fonctionne par le contrôle MLI en alimentant un courant de court-circuit pulsée « Icc » avec un Cycle de Service très bas de 0% à < 10% pour garder la tension de batterie constante au Point de Réglage de Tension De Maintien « Vf » Pendant cet étape , la batterie est 100% chargée et exige un très bas charge d'entretien 0.1% de la Capacité Ah afin de récompenser la batterie pour sa auto-consommation. La batterie peut rester dans cet étape pour une période prolongée.

Pendant cet étape, l'écran ACL 4 la affiche « State: Float ». L'écran 5 (la Fig 5.3) affiche le point de réglage de tension de Maintien (Affiché sur l'écran sous « Float »)

**REMARQUE:** Pendant l'étape de Maintien, si le courant de charge est plus grand qui le courant du panneau solaire, la tension de batterie va baisser. Si la tension de batterie baisse jusqu'à environ 1V en-dessous du point de réglage de tension de maintien « Vf » continu pour environ 1 min, le contrôleur retourne à l'étape de Masse. Le Cycle de Service MLI est changé à 100% et l'écran ACL 4 (La Fig 5.3) change à « State: Bulk ».

### Chargement de la batterie au lithium

Les paramètres suivants concernent les batteries au lithium, conçues pour remplacer les batteries au plomb.

COMMUTATEUR DIP2-3-4V	TENSION D'ABSORPTION	TENSION FLOTTANTE	TENSION D'ÉGALISATION	TEMPS D'ÉGALISATION	INTERVALLE D'ÉGALISATION
ON-ON-OFF	14.3V	13.4V	Profil pour le lithium		
ON-ON-ON	14.4V	13.5V	Profil pour le lithium		

Fig.4.1. Paramètres du profil de la batterie au lithium

Les profils fonctionnent de la même manière que les profils plomb-acide avec les exceptions suivantes:

## SECTION 4 | Principe de fonctionnement et caractéristiques

- La compensation de température est désactivée
- Le temps d'absorption est de 30 min au lieu de 1 heure
- La réinitialisation en mode de charge en vrac se produit à 13,0 V ou 26 V
- Les fonctions d'égalisation sont désactivées

### Chargement d'Égalisation

#### Information Générale à propos de l'Égalisation



#### ATTENTION!

- L'égalisation est effectuée uniquement pour les batteries au plomb-acide à cellules non-scellées / à plomb ouvert / inondées / mouillées.
- N'équilibrez pas les batteries au lithium.
- Surtout n'égalisez pas des batteries sans entretien AGM / type VRLA d'AGM/ à Cellules Gelées sauf s'il est permis par le fabricant de la batterie l'électrolyte de la batterie avec l'eau distillée après que l'égalisation soit terminée.
- Un sur-chargement et une gazéification excessive peut endommager les plaques de batterie et peut causer la perte des matériaux actifs. Une égalisation qui est trop forte ou dure trop long temps peut endommager la batterie. Lisez les instructions sur la batterie spécifique utilisée dans le système.
- Il devrait pas avoir une charge sur les batteries mais il devrait avoir une pleine exposition à la lumière solaire pour un jour (aucune ombre ni nuages) afin d'assurer que le maximum de courant des panneaux peut être utilisé pour égaliser les batteries.
- Le courant de court-circuit des panneaux devrait être 5% à 10% de la capacité Ah de la banque de batterie.

Une égalisation est le sur-chargement intentionnel de la batterie pour une période de temps contrôlée. Des cycles d'égalisation régulières sont nécessaires pour une bonne performance et vie de batterie — particulièrement dans un système solaire où les heures d'ensoleillement sont limitées et variables, et ne seront pas suffisant pour recharger pleinement la batterie. Des égalisations périodiques est faite pour la bonne santé et longue vie d'une batterie au plomb-acide, et prévient / réduit les effets indésirables :

## SECTION 4 | Principe de fonctionnement et caractéristiques

**La Sulfatation:** Si le processus de chargement n'est pas complète à cause d'un échec du chargeur à fournir le niveau de tension exigé ou si la batterie reste déchargée pour une longue durée, les cristaux Sulfate de Plomb doux sur les plaques Positive et Négative sont créés pendant le déchargement / auto-consommation sont pas complètement reconvertis au Dioxyde de Plomb sur la plaque Positive et Plomb éponge sur la plaque négative, et devient dure et sont difficile à enlever avec un chargement normal. Ces cristaux sont non-conductible et donc, introduisent plus de résistance internes à la batterie. Cette résistance interne augmentée va causer une chute de tension interne pendant le chargement et déchargement. Une chute de tension pendant le chargement va résulter dans une surchauffe et une chute de tension excessive de la tension de borne de la batterie. En générale, ceci va causer une moindre performance de la batterie. La sulfatation peut être réduite partialement par l'action mélangeant de l'électrolyte à cause de gazéification et formation de boules pendant le chargement intentionnel durant l'étape d'égalisation.

**La Stratification d'Électrolyte:** La stratification d'électrolyte peut se passer dans tous les types de batteries inondées. Lorsque la batterie est déchargée et rechargée, la concentration de l'Acide Sulfurique devient plus grande au fond de la cellule et moins forte à la partie supérieure de la cellule. Des faibles concentration d'acide réduisent la capacité de la partie supérieure des plaques, et une haute concentration d'acide accélère la corrosion au fond des plaques, et réduit la vie la batterie. La stratification peut être réduite par l'étape d'égalisation en augmentant la tension de chargement durant cet étape pour augmenter la gazéification et formation de boules, ce qui fait remuer/ agiter l'électrolyte et donc, assure que l'électrolyte garde une concentration équilibré du dessus au fond. En plus, l'action remuant aide à briser des cristaux de Sulfate de Plomb, qui restent après le chargement normal.

**Le Chargement inégal des Cellules:** Pendant le chargement normal, des déséquilibre chimique et de température peut empêcher quelques cellules de recharge complètement. Lorsque la batterie est déchargée, les cellules qui ont une tension plus faible seront drainée plus profondément que les cellules qui ont une tension plus grandes. Quand rechargé, les cellules qui ont une tension plus grande vont être complètement recharger avant les autres. Plus la batterie est cyclisée, plus que la séparation de la tension de cellule va se passer. Dans une batterie saine, toutes les cellules individuelles auront des tension et gravité spécifique pareilles.

## SECTION 4 | Principe de fonctionnement et caractéristiques

S'il y a une différence importante dans la tension (0,2V ou plus) et la gravité spécifique (0,015 ou plus) des cellules individuelles, les cellules auront besoin d'une égalisation. Une égalisation des batteries va équilibrer toutes les tensions des cellules de la batterie. Durant l'étape d'égalisation, des cellules pleinement rechargées vont dissiper l'énergie de chargement par la gazéification pendant que les autres cellules continuent à recharger.

**Quand Égaliser:** La fréquence idéale pour faire des égalisations dépend : du type de batterie (au plomb-calcium, plomb-antimoine, etc.), la profondeur du déchargement, l'âge de la batterie, la température et d'autres facteurs. Il est fortement conseillé d'égaliser les batteries inondées tous les 1 à 3 mois ou, tous les 5 à 10 décharges profondes. Certaines batteries, telles que les L-16, nécessitent des égalisations plus régulières. La différence entre la cellule avec la tension la plus élevée et celle avec une tension la plus basse dans une batterie pourrait également indiquer un besoin d'égalisation. Le fabricant de la batterie pourrait recommander la gravité spécifique ou les valeurs de tension de votre batterie. **Normalement, si la tension diffère dans les cellules par > 0.2 V, une égalisation s'avère nécessaire.**

### Algorithme de Chargement d'Égalisation

Une égalisation est faite automatiquement tous les 28 jours ou manuellement quand voulu. Le Point de Réglage de Tension d'Égalisation et l'intervalle d'Égalisation va dépendre sur le type de batterie à recharger et peut-être programmé à l'aide des interrupteurs DIP 2,3,4 situé au dos de l'unité (La Fig 5.2). Les Points de Réglage de Tension vont dépendre sur le type de batterie à recharger. Cette est disponible comme le suivant:

- Au Dos de l'unité – La Fig 5.2
- Le Tableau 6.3 sous l'entête de "Les Programmes de Chargement de Batterie Standard" à la page 50

Une égalisation automatiquement après 28 jours ou une égalisation manuelle est sélectionnée à l'aide de l'interrupteur DIP 5, situé au dos de l'unité (la Fig 5.2). Quand une égalisation manuel est sélectionnée, l'égalisation peut-être démarré et arrêté en appuyant le bouton d'égalisation sur la plaque frontale de unité (la Fig 5.1). Veuillez voir l'en-tête « Poussoirs », au Tableau 5.2 sur la page 40 pour le procédure manuel pour Allumer et Fermer.

Durant l'égalisation les affichages ACL et DEL suivantes sont activées:



## SECTION 4 | Principe de fonctionnement et caractéristiques

- Voyant d'état clignote en ORANGE, une fois par seconde.
- Écran 4 ACL affiche « State: Equalization » en permanence tant que l'étape d'Égalisation transition à l'étape de Maintien.
- Écran 6 affiche le point de réglage d'Égalisation (sous EQU), la durée d'Égalisation (sous EQU-T) et la période de 28 jours (Sous CYCLE) en toute déférence à un 6 options de type de batterie qui a été sélectionné à l'aide des interrupteurs DIP 2, 3, 4 la (Fig 5.2 et le Tableau 6.1)

### Égalisation Automatique Tous les 28 Jours

L'égalisation automatique après un intervalle de 28 jours ou l'égalisation manuelle peut être sélectionnée à l'aide du commutateur DIP 5 situé à l'arrière de l'unité (Fig 5.2). Veuillez vous référer à la figure 4.1B.

**Étape - 1: Étape de Masse.** Pendant la nuit, la tension de batterie va baisser en-dessous du point de réglage de tension de Maintien «Vf » (la portion de Courbe A1 à B1), Car il n'y a pas de soleil et le déchargement se passe à cause des charges qui sont fait marché pendant la nuit p.e. L'éclairage nocturne.

Quand le soleil est levé au matin du 28th jour, l'égalisation est activée et le chargement commence à l'Étape1, Étape de Masse. Durant cet étape (la portion de Courbe B1 à C1), l'interrupteur est gardé à Un Cycle de Service de 100% (Allumé continuellement) et donc, le courant maximal égal au courant de court-circuit disponible « Icc » du panneau est alimenté à la batterie et la tension de batterie va augmenter. Ceci est équivalent au Courant de Chargement Constant. Quand la tension atteint le point de réglage de Tension d'Absorption « Va » (le Point « C ») et est soutenu pour une période minimale d'environ 50 à 55 sec, le contrôleur transitions à l'Étape d'Absorption. À la fin de l'Étape de Masse, la batterie est chargé à environ 80% de la capacité. Le 20% de la capacité restant est restitué dan le prochain Étape d'Absorption.

Pendant cet étape, l'écran ACL 4 affiche « State: Equalization ». L'écran 1 montre la vraie tension de borne de la batterie sous « BatV ». Cette tension serait moins que le point de réglage programmé qui est affiché à l'écran 6 sous "EQU".

**Remarque: Même que le chargeur est dans l'Étape de Masse, l'Écran 4 affiche « State: Equalization » PAS « State: Bulk. »**

Voyant d'état clignote en ORANGE, une fois par seconde.

## SECTION 4 | Principe de fonctionnement et caractéristiques

**Étape - 2: Étape d'égalisation.** Le contrôleur entre dans cette étape au point «C1» de l'étape précédente lorsque la tension de la batterie atteint le point de consigne de régulation de tension d'égalisation «Ve» et est maintenue pendant une période minimale d'environ 50 à 55 s. Cette étape est chronométrée pour une période continue / cumulative de 1/2/3 heures en fonction du type de batterie programmé (veuillez consulter le tableau 6.3 sous la rubrique «Programmes de charge de batterie standard» à la page 50). Pendant la période d'égalisation (partie de courbe C1 à D1), la batterie est en condition de surcharge, dégage et bouillonne vigoureusement et l'électrolyte est agité, ce qui entraîne l'élimination de la stratification. En outre, les cellules les plus faibles sont également amenées à une charge complète (égalisées).

Dans cet étape, l'interrupteur fonction par le contrôle MLI en alimentant un courant de court-circuit pulsée « Icc » avec un Cycle de Service qui diminue constamment (< 100% et > 0%) / courant moyen pour garder la tension de batterie constante au Point de Réglage de Tension D'Absorption « Ve » (Portion de Courbe C1 à D1). Ceci est équivalent à la Tension de Chargement Constante. C'est une condition de surtension contrôlée intentionnelle pour la batterie pendant 1 / 2 / 3 Hrs.

Le passage au point de consigne de régulation de tension flottante suivant «Vf» n'est possible qu'après que la tension de la batterie est maintenue au point de consigne de régulation de tension d'égalisation sélectionné «Ve» pour une période continue ou cumulée de 1/2/3 heures selon le type programmé de la batterie (Veuillez consulter le tableau 6.3 sous la rubrique «Programmes de charge de batterie standard» à la page 50). Si «Ve» ne peut pas être maintenu de façon continue / cumulative pendant 1/2/3 heures, le chargeur ne sortira PAS de l'étape d'égalisation et la transition vers l'étape flottante n'aura PAS lieu.

Pendant cette étape, l'écran LCD 4 (Fig 5.3) affiche «State: Equalization». L'écran LCD 6 (Fig 5.3) affiche les paramètres d'égalisation programmés. L'écran 1 (Fig 5.3) montre la valeur programmée du point de consigne de régulation de tension d'égalisation «Ve» sous «BatV». Le voyant d'état du panneau avant clignotera en orange, une fois par seconde.

## SECTION 4 | Principe de fonctionnement et caractéristiques

*Remarque: Pendant l'étape d'égalisation, si le courant de charge est plus grand que le courant du panneau solaire, la tension de batterie va baisser. Si la tension de batterie baisse jusqu'à environ 1V en-dessous du point de réglage de tension d'égalisation « Ve » pour environ 1 min, le contrôleur retourne à l'étape de Masse. Le Cycle de Service MLI est changé à 100%. L'écran ACL 4 (La Fig 5.3) va toujours indiquer « State: Equalization » et A DEL de Statut sur la plaque frontale va continuer à clignotant en Orange. Il va retourner à la MLI quand la tension de batterie atteint le point de réglage de tension d'égalisation « Ve » est peut-être soutenu pour une période minimale d'environ 50 à 55 sec.*



### MISE EN GARDE!

Tant que l'étape d'Égalisation est activé, il va pas sortir de cet étape sauf s'il y a suffisamment de courant de chargement du panneau solaire pour recharger la batterie jusqu'au point de réglage de tension d'égalisation programmé « Ve » et pour maintenir ce niveau de tension pour une période continue ou cumulative de 1/2/3 Heures dépendamment du programme de batterie sélectionnée. (Veuillez voir le Tableau 6.3 sous l'en-tête de "Programmes de Chargements de Batterie Standards" à la page 50). Si « Ve » peut pas être maintenu continuellement pour 1/2/3 Hrs à cause de un courant de chargement trop faible grâce à un manque de lumière / courant de chargement qui est détourné à la charge(s), le Mode d'Égalisation va continuer jusqu'à ce que les heures programmées soit completé ; il est verouillé dans l'étape d'Egalisation (Les périodes durant lesquelles la tension de batterie tombe en-dessous de « Va » ne compte pas envers la périodes des 1/2/3 heure(s) périodes de temps). Suivez les instructions suivants pour éviter le verrouillage dans l'égalisation :

- Il ne devrait pas avoir une charge sur la batterie afin d'assurer que tout le courant du panneau est disponible pour égaliser les batteries.
- Le courant de court-circuit des panneaux devrait être 5% à 10% de la capacité Ah de la banque de batterie
- il devrait avoir une pleine exposition à la lumière solaire pour un jour (aucune ombre ni nuages)

## SECTION 4 | Principe de fonctionnement et caractéristiques

**Étape- 3: Étape de Maintien.** Le contrôleur entre cet étape de l'étape d'égalisation précédent au point « D1 » après que la tension de batterie est gardée au point de réglage de tension d'absorption « Ve » pour une période continue ou cumulatif d'1 /2 / 3 Hr. Pendant cet étape (Portion de Courbe « D1 » à « E1 »), l'interrupteur fonctionne par le contrôle MLI en alimentant un courant de court-circuit pulsée « Icc » avec un Cycle de Service très bas de 0% à < 10% pour garder la tension de batterie constante au Point de Réglage de Tension De Maintien « Vf » Pendant cet étape , la batterie est 100% chargée et exige un très bas charge d'entretien 0.1% de la Capacité Ah afin de récompenser la batterie pour sa auto-consommation. La batterie peut rester dans cet étape pour une période prolongée. Pendant cet étape, l'écran ACL 4 (la Fig 5.3) affiche « State: Float ». L'écran 5 (la Fig 5.3) affiche le point de réglage de tension de Maintien (Affiché sur l'écran sous « Float »)

La DEL de Statut serait allumée en Vert.

**REMARQUE:** Pendant l'étape de Maintien, si le courant de charge est plus grand qui le courant du panneau solaire, la tension de batterie va baisser. Si la tension de batterie baisse jusqu'à environ 1V en-dessous du point de réglage de tension de maintien « Vf » continu pour environ 1 hour, le contrôleur retourne à l'étape de Masse. Le Cycle de Service MLI est changé à 100% et l'écran ACL 4 (La Fig 5.3) change à « State: Bulk ».

### L'égalisation Manuelle

Une égalisation manuelle peut être sélectionné à l'aide de l'interrupteur DIP 5 qui est situé au dos de l'unité (La Fig 5.2).

Quand une égalisation manuelle est sélectionnée, l'égalisation peut être commencer et arrêter manuellement en appuyant le bouton d'égalisation sur l'avant de la plaque frontale de l'unité (la Fig 5.1).

- Pour ALLUMÉ: Appuyez et tenez le bouton d'Égalisation pour 5 sec
- POUR FERME: Appuyez et tenez le bouton d'Égalisation pour 2 sec

Quand une égalisation manuelle est démarré, le contrôleur commence à l'étape 1 – Chargement de Masse comme expliqué au-dessus sous l'en-tête « Égalisation Automatique Après 28 Jours. »

## SECTION 4 | Principe de fonctionnement et caractéristiques

**La Terminaison Prématuurée de l'Étape d'Égalisation en Mode Manuel:** Si l'unité est réglé pour démarrer et arrêter manuellement l'étape d'égalisation (Utilisant l'interrupteur DIP No. 5) et l'égalisation est ALLUMÉ puis FERMÉ avant que l'étape est terminé, le chargeur va retourner au « Chargement de Masse » et va être sujet à l'Algorithme de Chargement Normal comme expliqué au-dessus.

### La Compensation de Température Pendant le Chargement

La température de l'électrolyte de batterie affecte le taux des réactions chimiques dans les batteries et aussi le taux de diffusion et la résistivité de l'électrolyte. Donc, les caractéristiques de chargement de la batterie vont varier selon la température. Ceci est presque linéaire et le coefficient de tension du changement de température est normalement  $-3 \text{ mV à } -5 \text{ mV} / ^\circ\text{C} / \text{Cellule}$ . Veuillez noter que le coefficient de tension du changement de température est négative donc quand la température augmente, la tension de chargement a besoin d'être réduit et quand la température baisse, la tension de chargement a besoin d'être augmenté.

Tous les point de réglages de tension de chargement sont normalement spécifié à  $25^\circ\text{C} / 77^\circ\text{F}$ . Dans un système PV, les température de batterie varient de jusqu'à  $15^\circ\text{C}$  du point de référence de  $25^\circ\text{C}$ . Les Tensions d'Absorption, Maintien & Égalisation devrait être ajusté, ou un contrôleur avec un Capteur Thermique doit être utilisé. Le Tableau ci-dessous montre les exemples des réglages pour la tension d'absorption de 14,4V par exemple pour une batterie de 12V (basé sur un Coefficient de Tension du Changement de Température de  $-5 \text{ mV} / ^\circ\text{C} / \text{Cellule}$  ou de  $-30\text{mV} (,03\text{V})$  pour une batterie à 6 cellules, de 12V).

Si la compensation de température n'est pas fournie, la batterie chaude à  $40^\circ\text{C}$  va commencer à réchauffer et dégazer à 13,95V et va continuer à surcharger jusqu'à le point de réglage de tension d'absorption non-compensée est atteint (14,4V). Aux températures plus froide, la batterie de  $10^\circ\text{C}$  va subir une sous-charge résulteront dans la sulfatation.

Le contrôleur a des dispositions pour la compensation de température à l'aide du capteur de température. Ce capteur de température doit être connecté aux bornes marquées BTS + et BTS- (Fig 5.2).

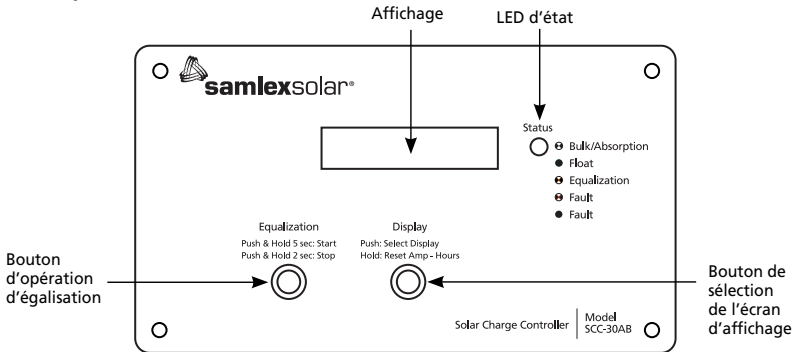
Il est recommandé d'utiliser le capteur de température ci-dessus si la température de l'électrolyte de la batterie varie de plus de  $5^\circ\text{C}$  à  $10^\circ\text{C}$  ( $9^\circ\text{F}$  à  $18^\circ\text{F}$ ) par rapport à la température de référence de  $25^\circ\text{C}$  ( $77^\circ\text{F}$ ).

## SECTION 5 | La Construction, la Disposition et les Commandes

### Générale

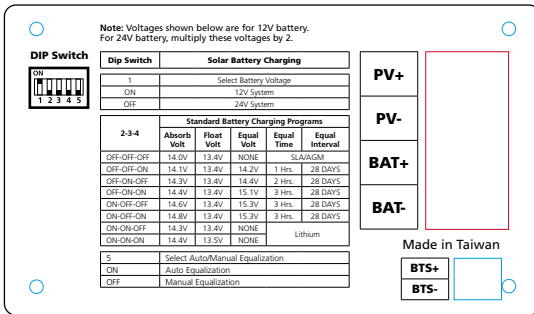
Le SCC-30AB est conçu pour le montage encastré sur un mur / un panneau. Les commandes et les indications sont intégrées sur la plaque frontale qui a 4 fraises permettant le montage encastré (La Fig. 5.1). Tous les composants électroniques, commutateurs DIP pour les réglages, bornier pour les connexions du générateur PV et de la batterie et la borne de capteur de température de la batterie (BTS) sont montés sur un PCB qui est à son tour monté à l'arrière de la plaque frontale (Fig. 5.2). Pour le montage encastré sur un mur / panneau, une découpe dans le mur / panneau est nécessaire afin de pouvoir loger le circuit imprimé. Car les composants au derrière seront cachés et protégés derrière le mur / panneau, les composants au dos de l'unité n'ont pas une couverture de protection. **VEUILLEZ MANIPULER L'UNITÉ AVEC SOIN AFIN D'EMPECHER TOUS DOMMAGES AUX COMPOSANTS QUI SE TROUVENT AU DOS DE L'UNITÉ.**

**Remarque :** Puisque l'unité est connectée à une batterie / Générateur solaire d'une tension nominale de 12 V / 24 V, il existe aucune risque de décharges électriques.



La Fig. 5.1. La plaque Frontale du SCC-30AB

# SECTION 5 | La Construction, la Disposition et les Commandes



La Fig. 5.2. La bue arrière du SCC-30AB

Remarques:

1. Les valeurs de tensions montrées sont pour une batterie de 12V. Pour une batterie de 24V, multipliez par 2.
2. Toutes les valeurs sont à une température de batterie de 25°C (77°F)

## Commandes & Indications

La description et les fonctions de commandes et d'indications sont indiqués ci-dessous :

### La Plaque Frontale

Une seule DEL à 3-couleurs (VERT, ROUGE, ORANGE) marquée « Status » (2 de La Fig 5.1) indique les stades de chargements et les défauts (si présent) comme montré ci-dessous dans la Table 5.1.

LED Marked "Status" (2, Fig 5.1)	Charging Stage or Fault Condition	12V Battery	24V Battery
1 Clignote (Vert)	Masse	> 0,75V en-dessous du réglage d'Absorption	> 1,5V en-dessous du réglage d'Absorption
2 Clignotes (Vert)	Masse	0,75V en-dessous du réglage d'Absorption	1,5V en-dessous du réglage d'Absorption
3 Clignotes (Vert)	Masse	0,50V en-dessous du réglage d'Absorption	1,0V en-dessous du réglage d'Absorption
4 Clignotes (Vert)	Masse	0,25V en-dessous du réglage d'Absorption	0,5V en-dessous du réglage d'Absorption

## SECTION 5 | La Construction, la Disposition et les Commandes

LED Marked "Status" (2, Fig 5.1)	Charging Stage or Fault Condition	12V Battery	24V Battery
5 Clignotes (Vert)	Absorption	Au réglage de Tension en mode d'Absorption	Au réglage de Tension en mode d'Absorption
Vert continu	Entretien	Au réglage de Tension en mode d'Entretien	Au réglage de Tension en mode d'Entretien
Clignotant (Orange)	Égalisation	À l'Étape d'Égalisation	À l'Étape d'Égalisation
Rouge continu	Condition De Défaut	Courant d'Entrée > 40A	Courant d'Entrée > 40A
		Faible tension de batterie: < 9V	Faible tension de batterie: < 18V
		Température de Fonctionnement est < -20°C	Température de Fonctionnement est < -20°C
		Erreur de Panneau d'Affichage	Erreur de Panneau d'Affichage
Clignotement (Rouge)	Condition De Défaut	Température du dissipateur de chaleur > 90°C	Température du dissipateur de chaleur > 90°C

Tableau 5.1. Affichage LED pour les étapes de charge et les défauts

BOUTONS	ACTION
Affichage (3, à la Fig 5.1)	Poussez pour changer l'écran d'affichage ACL (Voir la Fig. 5.3) Poussez et tenez pour réinitialiser les Ampère-Heures.
Égalisation (4, à la Fig. 5.1)	Quand l'interrupteur DIP #5 est mis à FERMÉ, tenez Réinitialisation (Reset) / Arrêt d'Égalisation (Stop Equalization) pendant 5 pour démarrer manuellement l'égalisation. Tenez pendant 2 sec pour l'arrêter.

Tableau 5.2: Fonctionnement du bouton poussoir

### Affichage ACL – Information de Fonctionnement

L'écran LCD (1, Fig. 5.1) est un affichage à 2 lignes de 16 caractères avec rétroéclairage. Le rétroéclairage s'éteint au bout de 30 secondes et se rallume lorsqu'une touche est enfoncée. Le poussoir marqué « PUSH Display Select » et « Hold – Reset AMP-Hours »



## SECTION 5 | La Construction, la Disposition et les Commandes

(3, à la Fig. 5.1) est utilisé pour manipuler les fonctions ACL. Chaque fois que le poussoir est appuyé, ça va faire défiler l'affichage. La séquence de défilement est montré à la Fig.5.3. Veuillez noter que les 7 écrans sont séquentiels, donc ils sont affichés dans une boucle continue : 1-2-3-4-5-6-7-1-2-3 et ainsi suite (Voir la Fig. 5.3). Quand les écrans 2 à 7 sélectionnés, ils seront affichés pendant 15 minutes, et puis retourneront à l'écran 1 (l'écran par défaut). L'information détaillée fournie sur les écrans ACL (la Fig 5.3)est indiquée ci-dessous :

**ÉCRAN 1:** Affiche le courant du Générateur / courant de chargement en Ampères (Amp), la Tension de Batterie en V (BatV) et la puissance délivrée par le Générateur solaire / transférée aux batteries en Watts (Watts). La valeur des Watts = le courant de chargement en Ampères (Amp) x la Tension de Batterie en V (BatV).

**ÉCRAN 2:** C'est un compteur réglable qui affiche les Ampère-Heures (en Amp-hours) de l'énergie délivré par le panneau solaire aux batteries prenant effet au moment que le panneau solaire est connecté ou à partir d'un point de référence / de démarrage après que le compteur soit réglé à 0. **Le compteur peut être régler à zéro à l'aide du poussoir «Reset Amp-Hours» (appuyez et maintenez le poussoir jusqu'à ce que le compteur se règle à 0).** Par exemple, en raison de son efficacité entre 75% et 85%, une batterie au plomb-acide nécessite jusqu'à 130% de l'énergie Ampères-heures, en comparaison à sa capacité Ampère-heure pour le rechargement entier. Ainsi, au début d'un rechargement d'une batterie de 100 AH entièrement déchargée, le compteur des Ampères-heures peut être réglé à 0. Comme 130 Ampères-heures d'énergie est nécessaire pour recharger entièrement une batterie de 100 Ah déchargée, une batterie saine est susceptible d'être entièrement rechargée lorsque le compteur des Ampères-heures atteint les 130 Ampères-heures.

**ÉCRAN 3:** Compte le cumul des Ampère-Heures (Amp-Hours) d'énergie (en Ah) délivrée par le panneau solaire aux batteries. Cela se réinitialisera uniquement lorsque la batterie n'est pas connectée.

**ÉCRAN 4:** Indique la phase de chargement en cours :masse «bulk», absorption, égalisation «equalization», ou maintien «float»

**ÉCRAN 5:** Indique la tensions de chargement Masse «Bulk» (pareille que la tension en mode Masse) et Maintien «Float» qui ont été réglées pour le type de batterie souhaitée correspondant à une des 8 options qui peuvent être sélectionnées à l'aide des interrupteurs DIP 2,3,4 (Voir la Table 6.3).

## SECTION 5 | La Construction, la Disposition et les Commandes

**ECRAN 6:** Affiche la tension d'égalisation (egu, en volts), la période d'égalisation (egu-t, en heures) et le cycle d'égalisation (cycle, en jours). Ces paramètres sont automatiquement réglés une fois que le type de batterie correspondant à une des 8 options est sélectionné à l'aide des interrupteurs DIP 2,3,4.

**ECRAN 7:** Affiche la température du dissipateur thermique en °C (la plaque en métal du panneau frontal agit comme dissipateur). Il affiche également la température de la batterie.

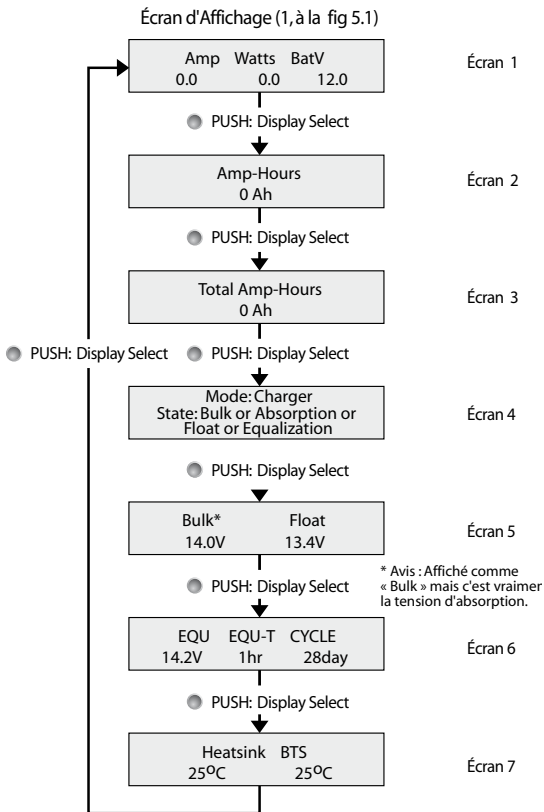


Fig. 5.3. Écran d'Affichage ACL

## SECTION 5 | La Construction, la Disposition et les Commandes

### Affichage ACL – Messages de Défaut

L'affichage ACL (1, à la Fig. 5.1) indique les message de défaut suivant quand le SCC-30AB cesse de fonctionner.

AFFICHAGE	DESCRIPTION	LA CAUSE DE DEFAUT
Alarm: OC Over Current	Surintensité	Le courant dépasse 150 % du courant nominal de 30A 45A, c.-à-d.
Alarm: OT	Surchauffe du Dissipateur	La température du dissipateur excède 90°C
Alarm: CPF00 Link Master Error	Erreur du Panneau d'affichage	L'unité centrale ne peut pas échanger les données avec le panneau d'affichage
Alarm: CPF04 DC / DC Low Volt	Faible Tension de Batterie < 9V pour une batterie de 12V < 18V pour une batterie de 24V	1. Les batteries sont déchargées en dessous du seuil 2. L'interrupteur DIP 1 est réglé pour une batterie de 24V mais la batterie est de 12V.
Alarm: CPF09 Heat Sink SR Open	Température de fonctionnement faible	Température de fonctionnement de l'unité est inférieure à la limite spécifiée de -20°C (4°F)

Tableau 5.3. Messages d'erreur sur l'écran LCD

Avis : Voir le Tableau 7.1, à la Section 7 – Dépannage pour plus de détails.

## SECTION 5 | La Construction, la Disposition et les Commandes

### Dos de l'Unité

Le dos de l'unité (la Fig. 5.2) possède les connexions d'entrée et de sortie suivantes ainsi que des interrupteurs DIP pour permettre le réglage.

NAME	DESCRIPTION
PV+	Borne de connexion Positive pour le générateur solaire
PV-	Borne de connexion Négative pour générateur solaire
BATTERIE +	Borne de connexion Positive pour câble de batterie
BATTERIE -	Borne de connexion Négative pour câble de batterie
INTERRUPTEUR DIP SWITCH 1	ALLUMÉ* Sélection de la Tension de Batterie pour un système de 12V
	FERMÉ Sélection de la Tension de Batterie pour un système de 24V
INTERRUPTEUR DIP 2,3,4	Programmation de type de Batterie & Chargement (Voir le Tableau 6.1)
INTERRUPTEUR DIP 5	ALLUMÉ Sélection d'Égalisation Automatique
	FERMÉ* Sélection d'Égalisation Manuelle
BTS	Capteur Thermique de la Batterie pour la compensation thermique.

Tableau 5.4. Connexions de contrôle et de borne (à l'arrière de l'unité)

\*REMARQUE : Condition pré-réglée en usine

## SECTION 6 | Installation & fonctionnement



### MISE EN GARDE

- ASSUREZ-VOUS que les fils + et - de la batterie sont correctement connectés avant de continuer.
- Les dommages dus à une connexion inversée de la batterie ne sont pas couverts par la garantie!
- Lors de la connexion de la batterie, connectez d'abord la batterie négative, puis la batterie positive.

## SECTION 6 | Installation & fonctionnement

Lors de la déconnexion de la batterie, déconnectez d'abord la batterie positive, puis la batterie négative.

### Étapes d'Installation

#### La Taille de Câble – Panneau Solaire au Contrôleur, et Contrôleur à la Batterie

Courant, A ↓	Taille de Câble (AWG) ↓					
	#12	#10	#8	#6	#4	#2
	Distance parcouru (pieds): Contrôleur au Panneau Solaire ou Contrôleur à la Batterie ↓					
Jusqu'à 10	15	30	40	80	120	130
11A à 20A	10	15	20	40	60	100
21A à 30A	-	10	15	25	40	60

Tableau 6.1: Longueur maximale du câble

#### AVIS:

- La distance de parcours est la distance réelle prenant en compte le circuit complet suivi par les câbles pour l'installation. Les deux longueurs des câbles positif et négatif.
- Le courant est le Courant de Court Circuit total (Icc) du Panneau/Générateur Solaire. Pour le SCC-30AB, un courant continue maximal de 30A est acceptable.
- Si la vraie distance parcourue n'est pas pareille que les distances montrées, baser la taille de câble sur la prochaine taille. Par exemple, si Icc est de 15A est la distance parcourue est de 18ft, utilisez AWG # 8 pour 12 ft.

Cette section fait un exposé général de comment de ce qu'il faut faire pour faire fonctionner le Contrôleur SCC-30AB. Néanmoins, veuillez lire entièrement ce guide pour avoir la meilleur performance et un service sans problèmes.

#### AVIS:

- Le SCC-30AB empêche les fuites de courant inverse au cours de la nuit grâce à un interrupteur MOSFET, par conséquent une diode de blocage n'est pas nécessaire dans ce système.

## SECTION 6 | Installation & fonctionnement

- Les câbles de connexion devrait être d'une taille qui limite la chute de tension à 2% - 3%.
- Resserrez chaque vis de serrage sur les bornes à un effort de serrage de 20 polivres.
- Le SCC-30AB est conçu pour régler la puissance d'un générateur PV. D'autres chargeurs peuvent être directement branchés à la batterie, sans affecter le SCC-30AB.

### Étapes d'Installation

1. Comme expliqué auparavant dans la Section 4, le SCC-30AB est conçu pour un montage encastré dans un panneau mural. Il est disposé d'une plaque frontale et d'une partie saillante à l'arrière composé d'un circuit imprimé avec un bornier, d'un connecteur pour le Capteur Thermique de Batterie (CTB) et les interrupteurs DIP.

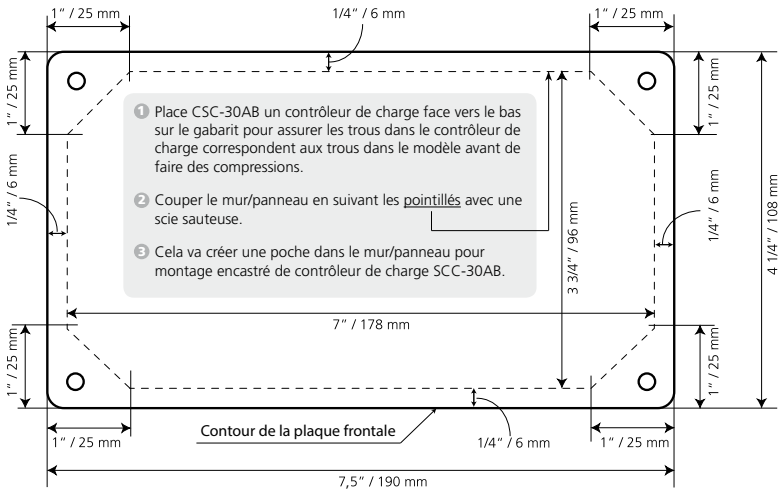
Le mur ou le panneau doit être entaillé pour pouvoir loger les projections du circuit imprimé en arrière de la plaque frontale.

Tout le câblage - 2 fils du panneau solaire, 2 fils vers la batterie et 2 fils vers le capteur de température de la batterie (si utilisé) sera conduit aux connexions à l'arrière de l'unité derrière le mur / panneau. Assurez-vous que la poche créée derrière l'entaille dans le mur ou dans le panneau est nette, afin que la partie arrière contenant le circuit imprimé ne soit pas endommagée lorsque l'unité est installée dans l'encoche.

La plaque frontale du SCC-30AB agit comme dissipateur pour dissiper la chaleur des composants montés sur le circuit imprimé au dos de la plaque frontale. ***Par conséquent, veuillez vous assurer que la plaque frontale du panneau avant n'est pas située à proximité d'une source de génération de chaleur et qu'il y a un flux d'air de refroidissement adéquat à travers la plaque frontale pour éliminer la chaleur dissipée de sa surface.***

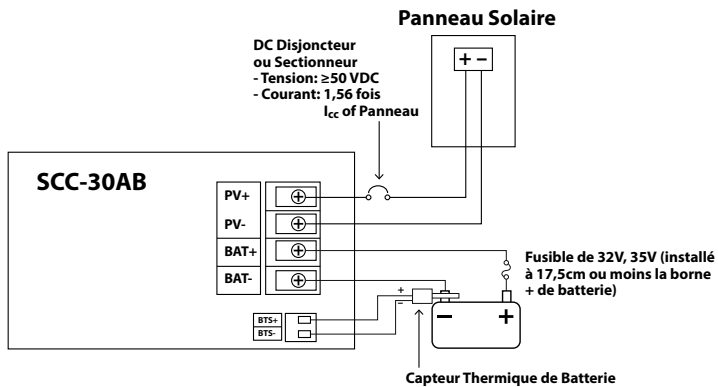
Un schéma détaillant la découpe murale est présenté à la Fig. 6.1 (échelle non réelle). Un modèle à échelle réelle est également inclus dans la boîte pour vous aider à marquer directement la zone de découpe. 4 vis (7 x 19, 5/8", de pointe 25, type auto-taraudeuses, à tête plate et cruciforme) sont fournies pour fixer l'unité au mur ou panneau.

## SECTION 6 | Installation & fonctionnement



La Fig. 6.1. Le dessin pour faire la découpe dans le mur/panneau (pas à l'échelle)

2. Soyez certain que le courant de court-circuit ( $I_{cc}$ ) du panneau/générateur ne dépasse pas les classifications du SCC-30AB (30 Amps).



La Fig. 6.2. Schéma d'Installation

## SECTION 6 | Installation & fonctionnement

3. Les connexions aux bornes du SCC-30AB sont présentées dans le schéma de la Fig. 6.2. Un bornier à barrières est fourni pour connecter le générateur PV et la batterie. Des vis M-4 avec des rondelles de serrage sont utilisées pour permettre la connexion. Un tournevis plat ou à pointe cruciforme #2 doit être utilisé pour serrer les vis. Resserrez chaque vis de serrage sur les bornes avec 20 pouce-livre de serrage. La distance entre les barrières est de 9 mm ; une cosse à fourche à utiliser avec : un écrou de borne #8 et un câble de d'AWG 10 à 12, peuvent être attachée à l'extrémité des câbles pour faire une connexion aux bornes. **4 cosses pareilles sont fournies avec l'unité pour faciliter l'installation.**
4. Réglez l'interrupteur DIP 1 pour le système de tension et l'interrupteur DIP 2,3,4 pour régler l'algorithme de chargement et le type de batterie (voir le Tableau 6.1.)
5. Connectez la BATTERIE en premier. Faites attention à ce que les fils nus ne soient pas en contact avec la caisse en métal du contrôleur. Connectez la borne Négative de la batterie en premier, puis la borne Positive.

**Utilisez un fusible de 32V, 35A en série avec le câble de batterie Positif pour réduire le risque d'un incendie à cause d'une surchauffe/brûlage du câble de batterie grâce à un court-circuit sur la longueur du câblage entre la batterie et le contrôleur. Le fusible doit être installé à 17,5 cm ou moins de la borne Positive de la batterie.**

- La BATTERIE doit être branchée avant le panneau/système solaire afin de démarrer correctement le micro-contrôleur, activer les protections et le guide d'installation.
  - Une batterie en dessous de 9V (batterie de 12V) ou de 18V (batterie de 24V) peut empêcher le démarrage du micro-contrôleur. Assurez que la batterie est bien chargée avant d'installer le système.
  - Dès que la Batterie (+) est branché, la DEL de Statut (2, à la Fig 5.1) serait allumé (Orange) et le message « Welcome to Samlex Solar 1.0 » serait affiché pour environ 3 à 5 sec. Après, la DEL va clignoter en Vert & l'Écran 1 (Fig 5.3) serait affiché: Amp 0.0; Watt 0.0; BatV = "the battery voltage.
6. Ensuite, connectez le Panneau/Système solaire. Il est recommandé que la Positive du panneau/générateur PV soit parcouru à travers un disjoncteur CC ou sectionneur CC (classifié à un courant nominal de  $\geq 50$  VCC = 1,56 fois le



## SECTION 6 | Installation & fonctionnement

courant de court-circuit «lcc » du générateur solaire). L'indicateur DEL (2, à la Fig. 5.1) va clignoter en Vert si le Panneau/système solaire est connecté au cours de la journée, et s'il est branché correctement (Voir le Tableau 5.1, à la page 39 pour en savoir plus à propos de l'affichage DEL).

N'oubliez pas que le Panneau/Système solaire génère du courant quand il est exposé à la lumière. Aussi, faites attention de ne pas court-circuiter le Panneau/Système pendant qu'il est connecté au contrôleur, car cela va l'endommager.

7. Pour une protection efficace contre des surtensions, il est recommandé que le conducteur de système Négative soit correctement mise à la terre.

### Reglages des Interrupteurs Dip

Il y a cinq interrupteurs DIP permettant de modifier les paramètres du contrôleur:

Nom	DESCRIPTION	
Interrupteur DIP 1	ALLUMÉ*	Sélection de la Tension de Batterie pour le système de 12V
	FERME	Sélection de la Tension de Batterie pour le système de 24V
Interrupteur DIP 2, 3, 4	Mode de contrôle de charge: algorithme de chargement de batterie (Voir le Tableau 6.1)	
Interrupteur DIP 5	ALLUMÉ	Sélection d'Égalisation Automatique
	FERMÉ*	Sélection d'Égalisation Manuelle

Tableau 6.2. Paramètres des commutateurs DIP

**\*AVIS: Réglages par Défaut**

### Programmes de Chargement de Batterie Standards

Le SCC-30AB a 8 algorithmes de chargement de batterie standards (programmes) qui peuvent être sélectionnés grâce aux interrupteurs DIP 2,3,4.

Le Tableau 6.3. ci-dessous présente les paramètres principaux des algorithmes de chargement standards. Remarquez que toutes les tensions sont pour des systèmes de 12 V. **Pour des systèmes de 24 V, multipliez les tensions par 2.**

## SECTION 6 | Installation & fonctionnement

- Consultez les spécifications du fabricant et/ou de la batterie et sélectionnez l'algorithme appropriée.
- L'unité est pré réglée pour la batterie de Type 1 (Arrêt-Arrêt-Arrêt) : batterie étanche / VRLA.
- Pour une batterie au plomb-acide générique non-étanche, aéré, inondée, à cellules mouillées sélectionnez la batterie de type 4.

### AVIS:

1. Toutes les valeurs indiquées sont pour une température de Toutes les valeurs de Tension sont à une température de 25°C (77°F) 25°C (77°F).
2. Toutes les tensions dans le Tableau sont pour des systèmes de 12 V. Pour des systèmes de 24 V, multipliez les tensions par 2.

	A	B	C	D	E	F
Interrupteurs DIP (2-3-4)	Type de Batterie	Tension d' Absorption	Tension de Maintien	Tension d'Égalisation	Durée d'Égalisation (heures)	Intervalle d'Égalisation (jours)
FERME-FERME- FERME (Par-Défaut)	1 - Étanche		Tension d'Égalisation	Durée d'Égalisation	-	-
FERME-FERME- ALLUME	2 - Étanche	(heures)	Intervalle d'Égalisation	14,2	1	28
FERME-ALLUME- FERME	3 - Étanche	(jours)	13,4	14,4	2	28
FERME-ALLUME- ALLUME	4 - Inondée	14,4	13,4	15,1	3	28
ALLUME-FERME- FERME	5 - Inondée	14,6	13,4	15,3	3	28
ALLUME-FERME- ALLUME	6 - Inondée	14,8	13,4	15,3	3	28
ALLUME-ALLUME- FERME	7 - Lithium	14,3	13,4	Aucune	-	-
ALLUME-ALLUME- ALLUME	8 - Lithium	14,4	13,5	Aucune	-	-

*Tableau 6.3 Programmes de charge de batterie standard*

## SECTION 6 | Installation & fonctionnement

- A. Type de Batterie** Ces batteries sont génériques, de type plomb acide – à cellules mouillées (Plomb Antimoine, Plomb Calcium), étanche AGM, étanche à cellules gelées et Lithium.
- B. Tension d’Absorption** Ceci est le point de réglage de la Tension d’Absorption. Note: Cette tension serait affiché comme « Bulk » sur l’Écran 5 de l’affichage ACL. (à la Fig. 5.3)
- C. Tension de Maintien** Ceci est le point de réglage de la Tension de Maintien. Il serait affiché sur l’Écran 5 de l’affichage ACL. (à la Fig. 5.3).
- D. Tension d’Égalisation** Ceci est le point de réglage de la Tension d’Égalisation. Il serait affiché sur l’Écran 6 de l’affichage ACL. (à la Fig. 5.3) sous « EQU ».
- E. Durée d’Égalisation** Le chargement continuera à la Tension d’Égalisation sélectionnée pour cette durée de temps. Ceci serait affiché sur l’Écran 6 de l’affichage ACL. (à la Fig. 5.3) sous « EQU-T ».
- F. Intervalle d’Égalisation** Des égalisations automatiques se réalise (avec l’interrupteur DIP 5). Normalement, des égalisations sont faites chaque mois. La plupart des cycles durent 28 jours, de manière à ce que l’égalisation démarre le même jour de chaque mois. Chaque nouveau cycle serait réinitialiser lorsque l’égalisation démarre, afin que le réglage soit effectuée au jour pareil. Il serait affiché sur l’Écran 6 de l’affichage ACL. (à la Fig. 5.3) sous

### Procédure d’Égalisation

**Remarque:** Veuillez lire l’information à propos de l’Égalisation et l’Algorithme de Chargement de Égalisation.

### Programmes d’Égalisation Standards

Des égalisations automatiques et manuelles peuvent être effectuées à l’aide des programmes de chargement standard (Voir le Tableau 6.3).

## SECTION 6 | Installation & fonctionnement

### L'Égalisation Manuelle

Le SCC-30AB est livré avec l'interrupteur DIP 5 (Fig 5.2) réglé pour une égalisation manuelle (Position FERMÉ). Cela permet d'éviter une égalisation automatique non-souhaitée ou inattendue. En mode manuel, le bouton «Equalization» (Fig 5.1), est utilisé pour démarrer et arrêter une égalisation manuelle. **Appuyez sur le bouton pendant 5 secondes pour le démarrer et pendant 2 secondes pour interrompre l'égalisation (si une égalisation est en cours).**

Il n'existe pas de limites d'utilisation du commutateur pour démarrer et arrêter une égalisation. Les égalisations seront achevées automatiquement par le programme de chargement sélectionné, si le commutateur n'est pas utilisé pour arrêter manuellement l'égalisation.

### L'Égalisation Automatique

Si l'interrupteur DIP 5 d'égalisation est dans la position ALLUMÉ (la Fig 5.2), les égalisations débuteront automatiquement en fonction du programme de chargement sélectionné (Tableau 6.3). À l'exception du démarrage, les égalisations automatiques et manuelles sont pareilles, et suivent des programmes de chargement standards (Tableau 6.3). Le commutateur peut être utilisé pour démarrer et arrêter une égalisation en mode automatique et manuel.

### Égalisation Typique

Des que l'Égalisation est activée, les indications suivante vont apparaître:

- DEL de Statut (la Fig 5.1) Voyant d'état clignote en orange, une fois par seconde
- L'écran 4 (la Fig. 5.3) va afficher « State: Equalization »
- L'écran 6 (La Fig. 5.3) va afficher les paramètres d'Égalisation en fonction du type de batterie/algorithme chargement sélectionné (Le Tableau 6.1)
- Quand la batterie est surchargée et sa tension augmente jusqu'au point de réglage de Tension d'Égalisation, et puis est soutenue à ce niveau pour la période du programme, le contrôleur va retourner à l'Étape de Maintien – la DEL de statut serait Vert Solide et l'écran 4 va afficher « State: Float ».

**AVIS:** Si le courant de chargement ne suffit pas pour augmenter la Tension de batterie jusqu'au point de réglage de Tension d'Égalisation et pour la soutenir pour la durée du programme, l'égalisation serait retardé pour un jour ou plusieurs jours tant que la période du programme est achevé. Cependant,

## SECTION 6 | Installation & fonctionnement

l'égalisation peut être terminée manuellement et réinitialiser quand il assez de lumière solaire. Aussi, veuillez enlever toutes les charges sur la batterie afin d'assurer que le courant entier du panneau est disponible pour compléter l'égalisation dans une session.

### Chargement de Batterie à Compensation Thermique

Veuillez lire les informations générales sur la compensation de température sous la rubrique « Effet de la température sur les batteries au plomb-acide » à la page 14.

Un capteur de température de batterie (BTS) est disponible pour charger la batterie avec compensation de température.



#### ATTENTION!

*Le câblage du Capteur Thermique de Batterie est polarisé, donc il est marqué (+) and (-). Veuillez respecter la polarité quand vous branchez les câbles aux bornes BTS+ and BTS-.*

Le CTB est composé d'une sonde sensible à la température qui est installée sur la borne Négative (-) de la batterie (la Fig. 6.2). La température de la borne de la batterie reflète la température approximative de l'électrolyte. Une paire de câbles de 10 mètres (marqués + et -) lie la sonde aux deux bornes marquées (+) BTS et (+) BTS au dos de l'unité.

Lorsque la batterie se réchauffe, la gazéification augmente. Lorsque la batterie se refroidit, elle devient plus résistante au chargement. En fonction de la variation de la température d'électrolyte de la batterie, il est important d'ajuster le chargement en prévision de ces variations thermiques. **Les divers point de réglage de tensions énumérées dans les spécifications sont indiquées à une température de référence de 25°C / 77°F.**

Il est recommandé d'utiliser le capteur de température de la batterie (BTS) si la température de l'électrolyte de la batterie (mesurée à la borne +) oscille de plus de 5 ° C à 10 ° C (9 ° F à 18 ° F) par rapport à la température de référence de 25 ° C (77 ° F).

Le Capteur Thermique de Batterie (CTB) corrige les tensions des modes Absorption, Égalisation, et Maintien par les valeurs suivantes (température de référence de 25°C / 77°F) :

## SECTION 6 | Installation & fonctionnement

- Batterie de 12 volt : -0,030 volts par °C (-0,017 volts par °F).
- Batterie de 24 volt : -0,060 volts per °C (-0,033 volts par °F).

La température détectée par le CTB est affichée sur l'écran ACL sous l'écran «Heat Sink BTS».

La compensation typique est indiquée ci-dessous dans le Tableau 6.4:

BATTERY ELECTROLYTE TEMPERATURE	VOLTAGE COMPENSATION	
	12V BATTERY	24V BATTERY
50°C / 122°F	- 0,75V	-1,50V
45°C / 113°F	- 0,60V	- 1,20V
40°C / 104°F	- 0,45V	- 0,90V
35°C / 95°F	- 0,30V	- 0,60V
30°C / 86°F	- 0,15V	- 0,30V
25°C / 77°F (Référence)	0V (Référence)	0V (Référence)
20°C / 68°F	+ 0,15V	+ 0,30V
15°C / 59°F	+ 0,30V	+ 0,60V
10°C / 50°F	+ 0,45V	+ 0,90V
5°C / 41°F	+ 0,60V	+ 1,20V
0°C / 32°F	+ 0,75V	+ 1,50V

Tableau 6.4. Compensation de température des réglages de tension

## SECTION 7 | Le dépannage

Le SCC-30AB est vraiment rustique ; il est conçu pour fonctionner même dans les conditions les plus extrêmes. La plupart des problèmes de systèmes seront causé par des mauvaise connexions, des chutes de tensions ou les charges.

Le dépannage du contrôleur SCC-30AB est simple. Quelques procédures de dépannages sont écrites ci-dessous.

## SECTION 7 | Le dépannage

AFFICHAGE	DEL DE DÉFAUT	DESCRIPTION	CAUSE DU DÉFAUT / REMÈDE
Alarm: OC Over Current	Rouge continu	Surintensité	Courant d'entrée dépasse 150 % du courant nominal de 30A 45A, c.-à-d.
Alarm: OT	Rouge Clignotant	Surchauffe du Dissipateur	Température excède 90°C Auto-zéro à 70°C
Alarm: CPF00 Link Master Error	Rouge continu	Erreur du Panneau d'Affichage	L'unité centrale ne peut pas échanger les données avec le panneau d'Affichage
Alarme : CPF00 Erreur Master Link  L'affichage est tamisé ou éteint	OFF	Erreur d'affichage	1. La CPU n'est pas en mesure d'échanger des données avec le panneau d'affichage. 2. La tension de la batterie est inférieure à $7V \pm 0,2 V$  Auto-zéro à 10V et au-dessus.
Alarm: CPF04 DC / DC Low Volt	Rouge continu	Faible Tension	1. Faible Tension de Batterie:: < 9V pour une Batterie de 12V < 18V pour une Batterie de 24V 2. Si le symptôme se manifeste pour le Système de Batterie de 12V, vérifiez que l'interrupteur DIP 1 au dos de unité est sélectionné pour une batterie de 12V et pas pour une de 24V.  Auto-zéro à 10V et au-dessus
Alarm: CPF09 Heat Sink SR Open	Rouge continu	Basse température de fonctionnement	La température de fonctionnement est en-dessous de -20°C (-4°F). Assurez que la température de fonctionnement et plus chaude que -20°C (-4°F).

Tableau 7.1. Indications de panne et remèdes

## SECTION 7 | Le dépannage

### SYMPTÔME 1. LA BATTERIE NE RECHARGE PAS

- Vérifiez la DEL de Statut (2, à la Fig 5.1). Elle devrait être ALLUMÉE pendant la journée.
- Vérifiez que l'algorithme de chargement de batterie soit correct (programme) et qu'il a été sélectionné en manipulant les interrupteurs DIP 2,3,4 (le Tableau 6.3.)
- Vérifiez que tous les branchements du système soient bien effectués et serrés. Vérifiez la polarité des connexions (+ et -).
- Mesurez la tension en circuit ouvert du système PV et confirmez si elle est dans les limites. Si la tension est basse ou nul, inspectez les branchements du système PV. Débranchez le contrôleur lorsque vous travaillez sur le système PV.
- Vérifiez que la charge ne tire pas trop de courant afin de ne pas excéder la capacité du système PV.
- Vérifiez qu'il n'y a pas des chutes de tension excessives entre le contrôleur et la batterie. Cela provoquera une sous charge de la batterie
- Vérifiez l'état de la batterie. Déterminez si la tension de la batterie diminue pendant la nuit, quand il y a aucune charge. Si la batterie ne peut pas maintenir sa tension, elle est peut être défectueuse.
- Mesurez la tension PV et de la batterie aux bornes du SCC-30AB . Si la tension aux bornes est pareille (à quelques dixièmes de volts près), le système PV recharge la batterie. Si la tension du système PV est proche de la tension en circuit ouvert des panneaux et la tension de la batterie est faible, le contrôleur ne recharge pas les batteries et pourrait être endommagé.

### SYMPTÔME 2. LA TENSION DE BATTERIE EST TROP ÉLEVÉE

- La DEL de Statut va clignoter (VERT) 5 fois et la Tension de Batterie serait affichée sur l'Affichage ACL.
- Premièrement, vérifiez les conditions de fonctionnement afin de confirmer si la tension est supérieure aux spécifications.
- Vérifiez que l'Algorithme de Chargement de Batterie (Programme) soit correct et qu'il a été sélectionnée à l'aide des interrupteurs DIP 2, 3, 4 (Le Tableau 6.3).
- Vérifiez que tous les branchements du système soient bien effectués et bien serrés.



## SECTION 7 | Le dépannage

- Déconnectez le générateur PV et déconnectez momentanément le fil de raccordement positif de la BATTERIE de la borne BAT+. Rebranchez la borne de la batterie mais en laissant le générateur PV débranché. La lumière verte de chargement ne devrait pas s'allumer. Mesurez la tension aux bornes PV+ et PV- et du générateur PV (générateur toujours débranché). Si la tension de la batterie est mesurée aux bornes PV+ et PV- et de générateur PV, le contrôleur peut être endommagé.
- Débrancher le générateur PV. La DEL de Statut va continuer à clignoter (VERT) et la Tension de Batterie serait toujours affichée.
- Inspecter la Tension en Circuit Ouvert du générateur PV. Elle devrait être conforme aux spécifications du générateur et ne devrait pas excéder 50V.
- Quand le générateur est déconnecter, le contrôleur ne devrait pas affichés une tension pour les bornes PV+ and PV- With the PV array disconnected, there should be no voltage reading on the PV+ and PV- terminals. Si une tension des bornes PV+ and PV- est indiquée, et si elle est pareille que la tension de Batterie, le contrôleur est défectueux.

## SECTION 8 | Specifications

<b>MODÈLE SCC-30AB</b>	
<b>ENTREE</b>	
TENSION EN CIRCUIT OUVERT MAX. (VCC) DU GÉNÉRATEUR / PANNEAU SOLAIRE	50V
COURANT DE COURT CIRCUIT MAX. (I <sub>sc</sub> ) OF SOLAR PÅNEL / ARRAY	30A
COURANT D'AUTO-CONSOMMATION TOTAL	50 mA
<b>SORTIE / CHARGEMENT</b>	
TYPE DE CONTRÔLEUR	Série, la Modulation de la Largeurs d'Impulsions (MLI)
TENSION DE SYSTÈME DE BATTERIE NOMINALE BATTERY	12V / 24V (Sélectionné par interrupteur)
TENSION DE BATTERIE MIN.POUR DÉMARRER LE MICRO-CONTRÔLEUR, ACTIVER LES PROTECTIONS ET LE FONCTIONNEMENT PROPRE	9 VCC pour une Batterie de 12V 18 VCC pour une Batterie de 24V
TYPE DE BATTERIES	Au Plomb-Acide: Inondée/AGM/Cellules Gelées; Lithium
ALGORITHME DE CHARGEMENT	4 Étapes: Masse, Absorption, Maintien, Égalisation
PROGRAMMES DE CHARGEMENT	8 Programmes (Sélectionné par interrupteur)
TENSION D'ABSORPTION*	14,0V à 16,0V
TENSION DE MAINTIEN*	13,4V / 14,5V
TENSION D'ÉGALISATION*	14,2V to 15,3V - 1 à 3 hrs* - Manuel ou automatique après un intervalle de 28 jours*
PRÉCISION DU POINT DE RÉGLAGE DE LA TENSION	± 50mV
COMPENSATION THERMIQUE	Avec capteur de température: - 30 mV / °C pour une batterie de 12V - 60 mV / °C pour une batterie de 24V - Plage de Compensation: 0°C à 50°C
<b>AFFICHAGE</b>	
AFFICHAGE ACL	2 Lignes x 16 Caractère, Alpha Numeric Backlit Display for operational parameters and fault messaging. 7 Selectable screens.
AFFICHAGE DEL	Pour indiquer le statut de chargement et défauts - Une seule, del à 3-couleurs
<b>PROTECTIONS</b>	
SURINTENSITÉ	Fermeture si le courant d'Entrée est > 45A
SURCHAUFFE DU DISSIPATEUR	Température > 90°C: Débranche le panneau / générateur - Rebrancher quand refroidi à 70°C
<b>ENVIRONNEMENTALE</b>	
PLAGE DE TEMPÉRATURE DE FONCTIONNEMENT	-20°C à 50°C / -4°F à 112°F
PLAGE DE TEMPÉRATURE DE STOCKAGE	-55°C à 85°C / - 67°F à 185°F
HUMIDITÉ	95%, Sans-condensation
<b>MÉCANIQUE</b>	
DIMENSIONS (W X D X H)	190 X 34 x 108 mm / 7,5 X 1,35 x 4,25 po
POIDS	.4 kg / 0,8 lb
PLAQUE FRONTALE	Enduit de poudre d'acier. Pour une utilisation en intérieur
<b>CONFORMITÉ</b>	
EMI / EMC	FCC Partie 15 (B), Classe A
<b>ACCESSOIRES FOURNIS</b>	
CAPTEUR DE TEMPÉRATURE	30AB-TS, 33 pi (10 m)
COSSES À FOURCHE ISOLÉES POUR LES CONNEXIONS DE CÅBLAGE D'ENTRÉE / DE SORTIE	4 Pièces pour goujon #8 d'un câble AWG #10 à 12 4 Pièces pour goujon #8 d'un câble AWG # 8
VISSES AUTOTARADEUSES POUR FIXER LA PLAQUE FRONTALE	7 x 19, 5/8 po; Type à Point 25;tête plate, cruciforme

\* Basé sur le programme sélectionné - voir le tableau 6.3, Page 50  
Les spécifications pourrait être sujettes aux modifications sans avis.

## **SECTION 9 | Garantie**

### **GARANTIE LIMITÉE DE 5 ANS**

SCC-30AB, fabriqués par Samlex America Inc. (le « Garant ») sont garantis être non défectueux dans la conception et dans les matériaux, moyennant une utilisation et un service normaux. La période de garantie est de 5 ans pour les Etats-Unis et le Canada, et prend effet le jour de l'achat par l'utilisateur (« l'Acheteur »).

La garantie hors des Etats Unis et du Canada est limitée à 6 mois. Pour une réclamation concernant la garantie, l'Acheteur devra contacter le point de vente où l'achat a été effectué afin d'obtenir un Numéro d'Autorisation pour le Retour.

La pièce ou l'unité défectueuse devra être retournée aux frais de l'acheteur au point de vente agréé. Une déclaration écrite décrivant la nature du défaut, la date et le lieu d'achat ainsi que le nom, l'adresse et le numéro de téléphone de l'Acheteur devront également être renseignés.

Si à l'examen de la demande par le Garant, le défaut est réellement le résultat d'un matériau ou d'un assemblage défectueux, l'équipement sera réparé ou remplacé gratuitement et renvoyé à l'Acheteur aux frais du Garant. (Etats-Unis et Canada uniquement).

Aucun remboursement du prix d'achat ne sera accordé à l'Acheteur, sauf si le Garant est incapable de remédier au défaut après avoir eu plusieurs occasions de le faire. Le service de garantie doit être effectué uniquement par le Garant. Toute tentative de remédier au défaut par quelqu'un d'autre que le Garant rend cette garantie nulle et sans effet. Il n'existe aucune garantie concernant les défauts ou dommages causés par une installation défectueuse ou inadaptée, par un abus ou une mauvaise utilisation de l'équipement, y compris, une exposition excessive à la chaleur, au sel, aux éclaboussures d'eau fraîche ou à l'immersion dans l'eau.

Aucune autre garantie express n'est accordée et il n'existe aucune garanties qui s'étendent au delà des conditions décrites par la présente. Cette garantie est la seule garantie valable et reconnue par le Garant, et prédomine sur d'autres garanties implicites, y compris les garanties implicites liées à la garantie de qualité marchande, à l'usage des objectifs habituels pour lesquels de telles marchandises sont utilisées, ou l'usage pour un objectif particulier, ou toutes autres obligations de la part du Garant ou de ses employés et représentants.

Il ne doit pas exister de responsabilité ou autre de la part du Garant ou de ses employés et représentants, en ce qui concerne les blessures corporelles, ou les dommages de personne à personne, ou les dégâts sur une propriété, ou la perte de revenus ou de bénéfices, ou autres dommages collatéraux, pouvant être rapportés comme ayant survenus au cours de l'utilisation ou de la vente du matériel, y compris tous dysfonctionnements ou échecs du matériel, ou une partie de celui-ci. Le Garant n'assume aucune responsabilité concernant toutes sortes de dommages accidentels ou indirects.

**Samlex America Inc. (le « Garant »)**  
**[www.samlexamerica.com](http://www.samlexamerica.com)**

# Information Contact

Numéros Sans Frais  
Tél: 1 800 561 5885  
Télé: 1 888 814 5210

Numéros locaux  
Tél: 604 525 3836  
Télé: 604 525 5221

Site internet  
[www.samlexamerica.com](http://www.samlexamerica.com)

Entrepôts USA  
Kent, WA  
Plymouth, MI

Entrepôt Canada  
Richmond, BC

Adresse email pour  
passer commande  
[orders@samlexamerica.com](mailto:orders@samlexamerica.com)



**samlex**america®